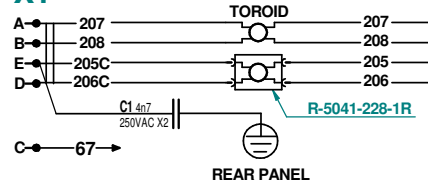


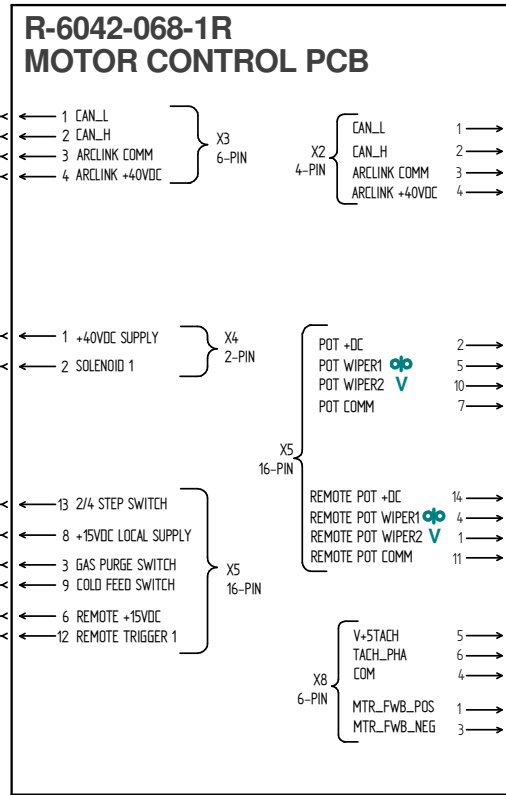
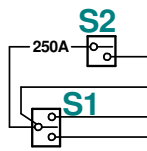
INPUT MALE PLUG X1



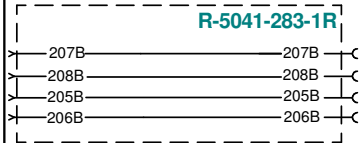
REAR PANEL



GAS SOLENOID K1 12VDC

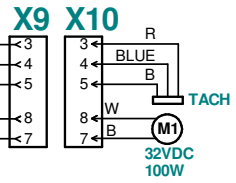


R-5041-283-1R



OPTION

R-5041-285-1R



X2



PF 40 (50265)