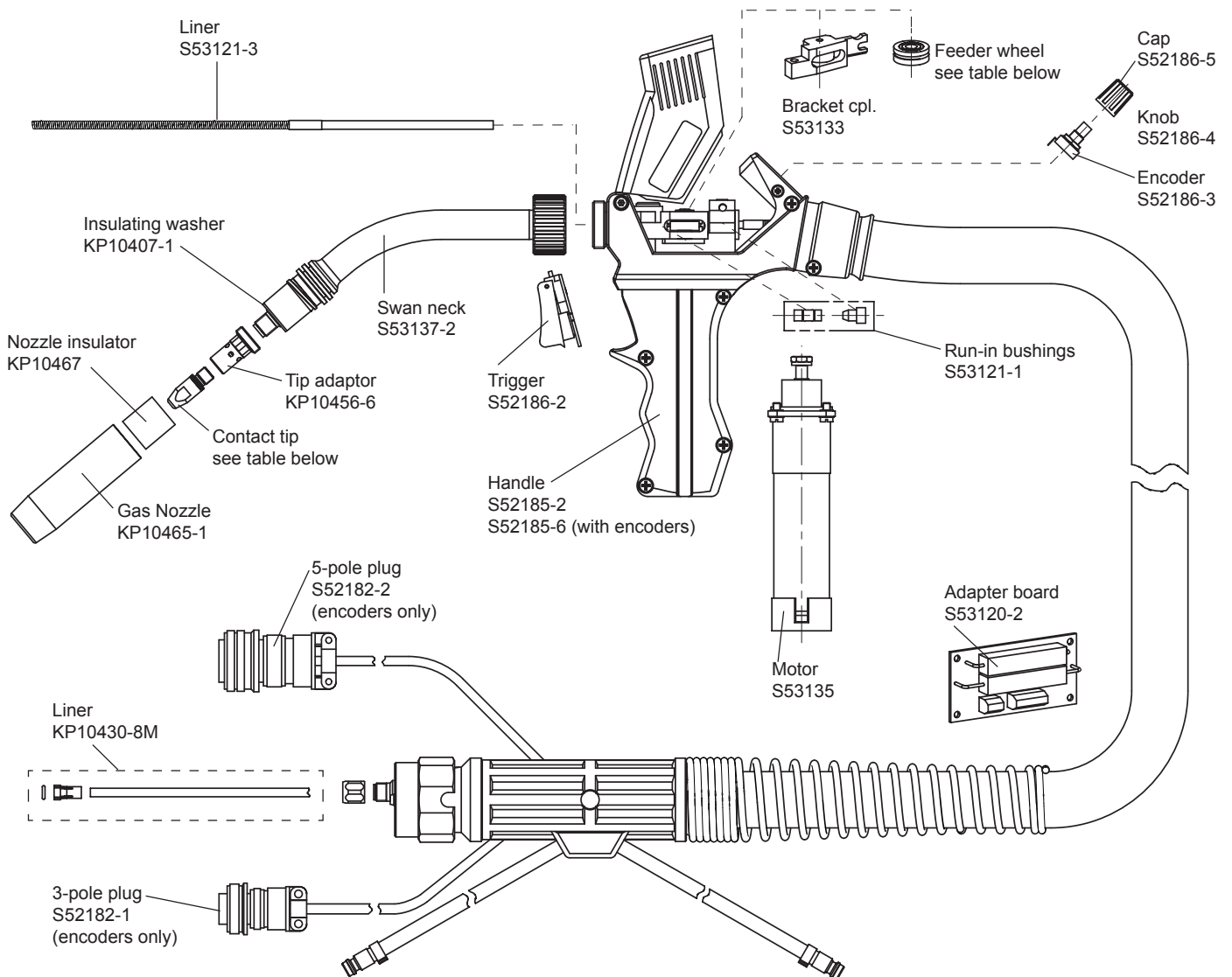


LG PP 400 W

	Part No.
LG PP 400 W - 8.0 m - w/o encoders	K10413-PPW
LG PP 400 W - 8.0 m - with encoders	K10413-PPWR



	Ø	0.8 mm	1.0 mm	1.2 mm	1.4 mm	1.6 mm
Al (ECu) M8 x 30 mm		KP10445-08A	KP10445-10A	KP10445-12A	KP10445-14A	KP10445-16A
Al (Polygon) M8 x 30 mm			KP10445-10PLG	KP10445-12PLG		
Feeder wheel		S53131-1	S53131-2	S53131-3	S53131-4	S53131-5