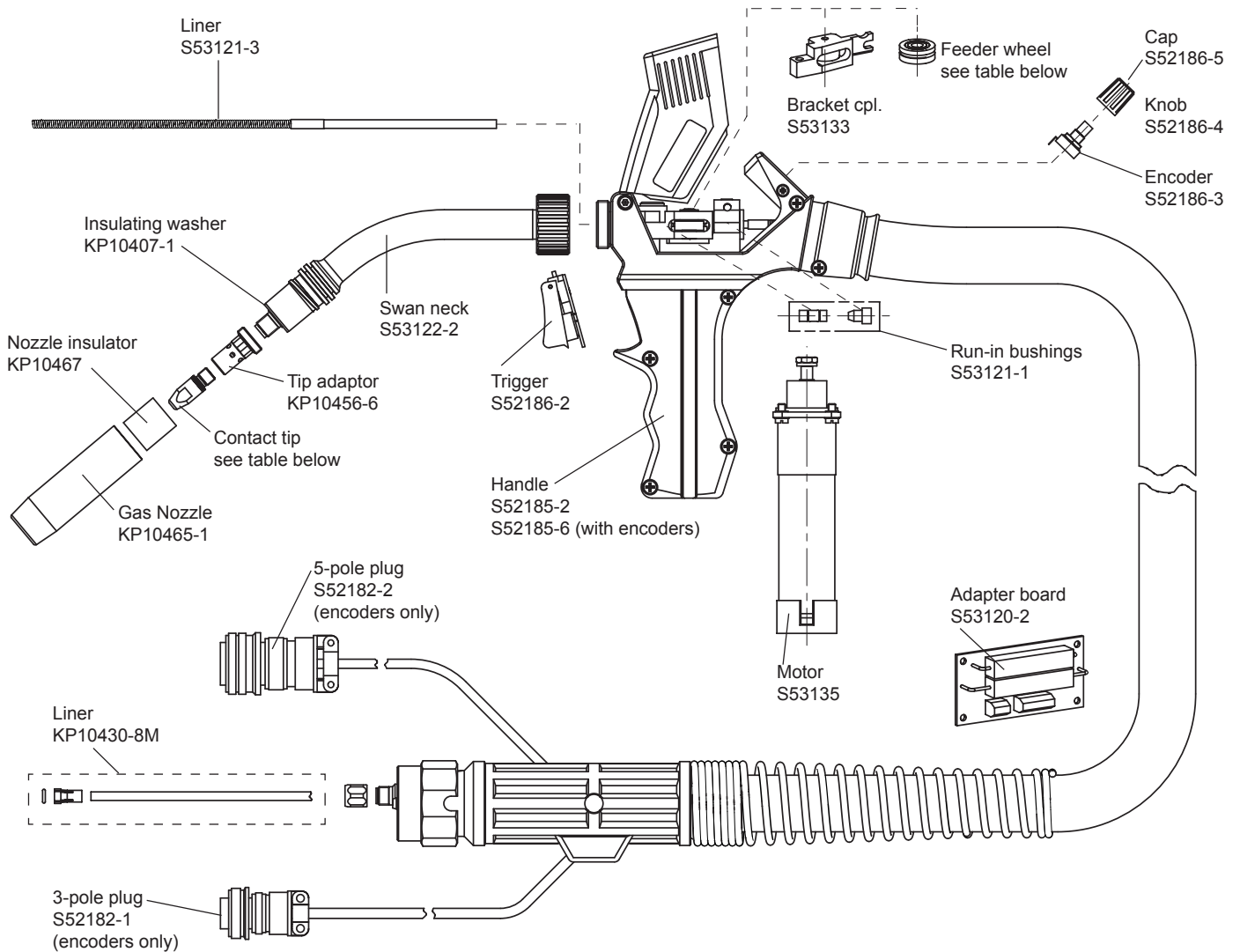


**LG PP 300 G**

	Part No.
LG PP 300 G - 8.0 m - w/o encoders	K10413-PPA
LG PP 300 G - 8.0 m - with encoders	K10413-PPAR



	Ø	0.8 mm	1.0 mm	1.2 mm	1.4 mm	1.6 mm
<b>AI (ECu)</b> M8 x 30 mm		KP10445-08A	KP10445-10A	KP10445-12A	KP10445-14A	KP10445-16A
<b>AI (Polygon)</b> M8 x 30 mm			KP10445-10PLG	<b>KP10445-12PLG</b>		
<b>Feeder wheel</b>		S53131-1	S53131-2	<b>S53131-3</b>	S53131-4	S53131-5