

LF 56D

Spare Parts	1
Figure A: Machine Assembly	2
Figure B: Partition Assembly	3
Figure C: Wire Drive Assembly.....	4
Figure D: Front Assembly	5
Figure E: Back Panel	6
Miscellaneous Items (not shown in figure A, B, C, D, E)	6
Electrical Schematic.....	7
CODE: 50580	7



Spare Parts

SP50580 REV00
11/2020

ASSEMBLY PAGE NAME			Machine Assembly	Partition Assembly	Wire Drive Assembly	Front Assembly	Back Panel	Miscellaneous Items
CODE NO.:	K NO.:	FIGURE NO.:	A	B	C	D	G	
50580	K14336-1	LF 56D	1	1	1	1	1	1

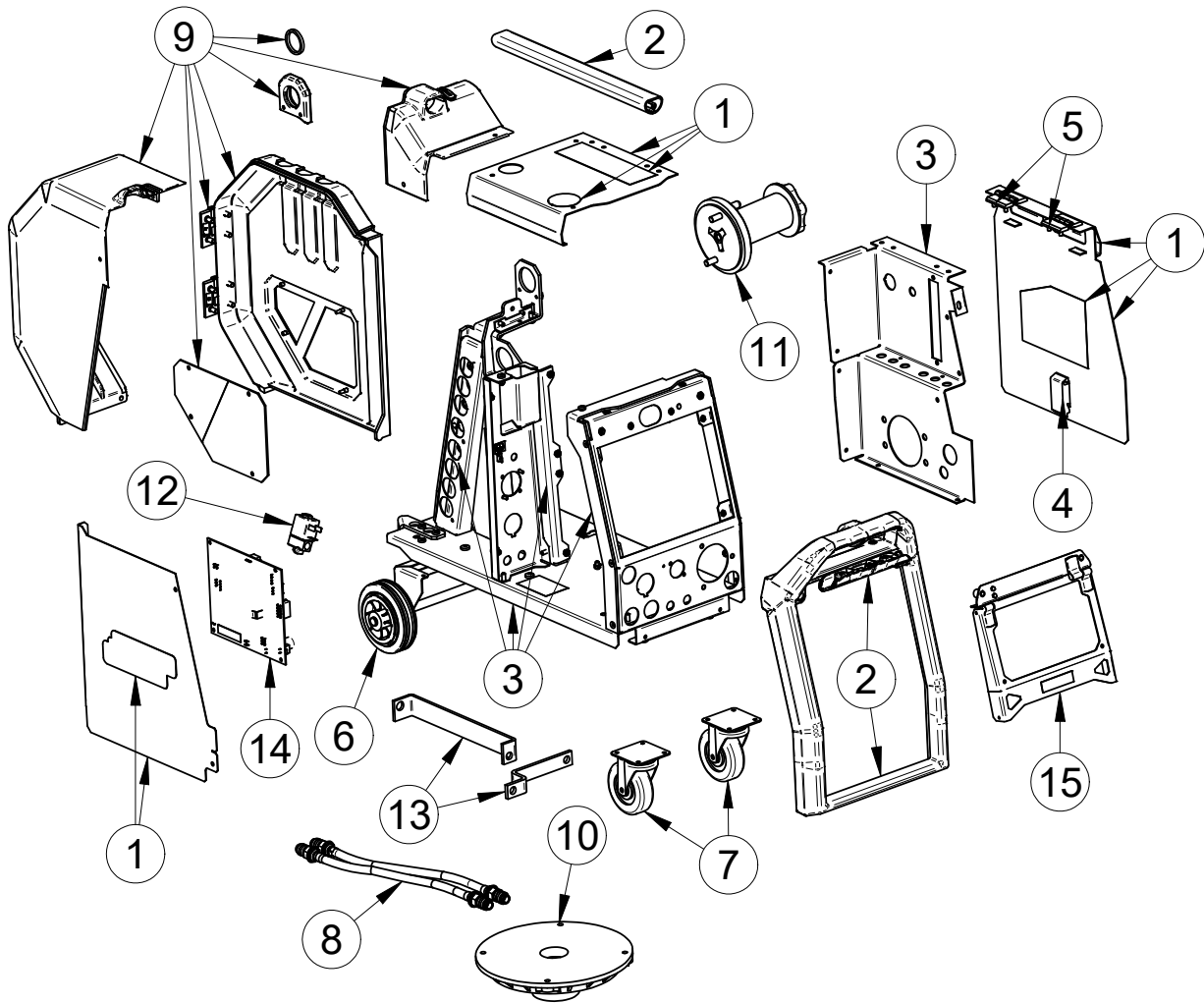


Figure A

Figure A: Machine Assembly

Item	Description	Part Number	QTY	1	2	3	4	5	6	7
1	SIDE PANEL KIT includes:	T-8040-039-1R	1	X						
	LEFT SIDE PANEL		1	X						
	RIGHT SIDE PANEL		1	X						
	COVER		1	X						
	LABLE		5	X						
	SHELF		1	X						
2	FRONT PANEL FRAME KIT:	T-8040-040-1R	1	X						
	FRONT PANEL		1	X						
	RED INSERT		1	X						
	HANDLE		1	X						
3	BASE, PARTITION, SHELF KIT:	T-8040-119-1R	1	X						
	BASE ASSEMBLY		1	X						
	PARTITION ASSEMBLY		1	X						
	PARTITION LABEL		1	X						
	FRONT PANEL		1	X						
	BACK LABEL		1	X						
	BRACKET		1	X						
4	LOCK	0654-610-004R	1	X						
5	LEAF HINGE	0654-610-007R	2	X						
6	WHEELS	1029-660-006R	2	X						
7	WHELLS	1029-660-004R	2	X						
8	WATER CONNECTION KIT:	T-8040-043-1R	1	X						
	COOLING HOSES		2	X						
	QUICK CONNECTOR		4	X						
9	PLASTIC COVER KIT	T-8040-120-1R	1	X						
10	ROTARY BRACKET	1361-598-180R	1	X						
11	REEL HUB STANDARD	0744-000-192R	1	X						
12	GAS SOLENOID	W8500011R	1	X						
13	CONDUCTOR RAILS KIT	T-8040-045-1R	1	X						
14	CONTROL BOARD	R-6042-094-1R	1	X						
15	CONTROL PANEL COVER KIT	T-8040-100-1R	1	X						

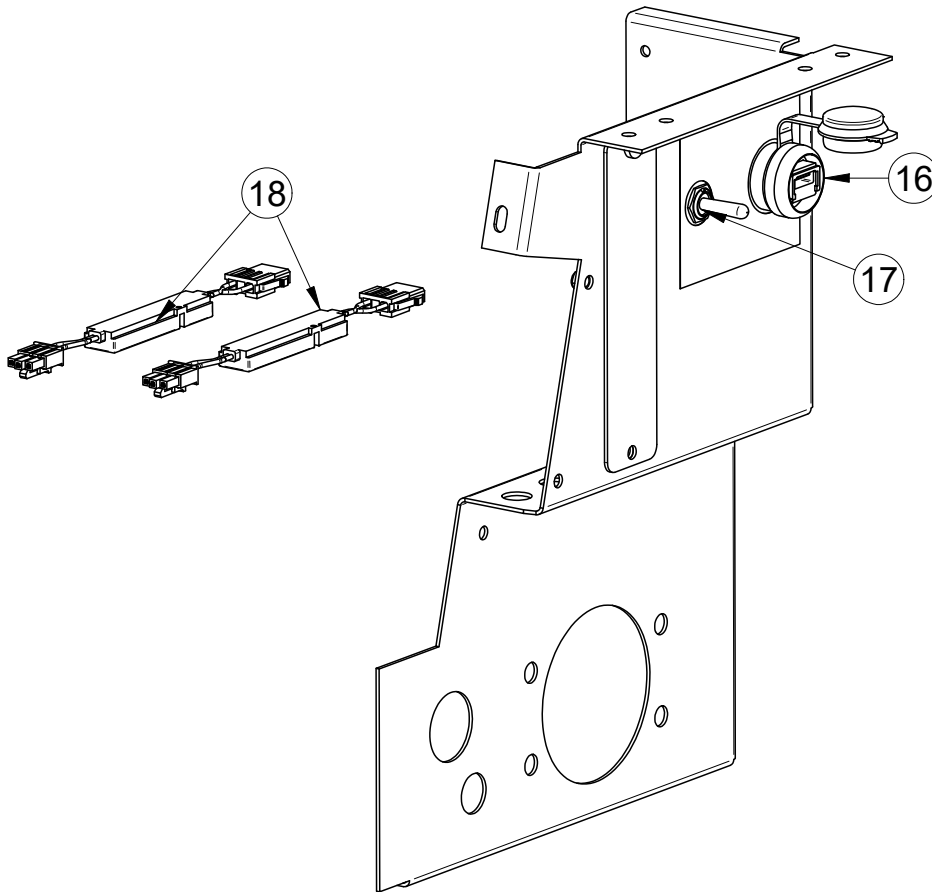


Figure B

Figure B: Partition Assembly

Item	Description	Part Number	QTY	1	2	3	4	5	6	7
16	USB SOCKET	1158-641-061R	1	X						
17	SWITCH	1115-280-004R	1	X						
18	LED MODULE	R-5041-508-1R	2	X						

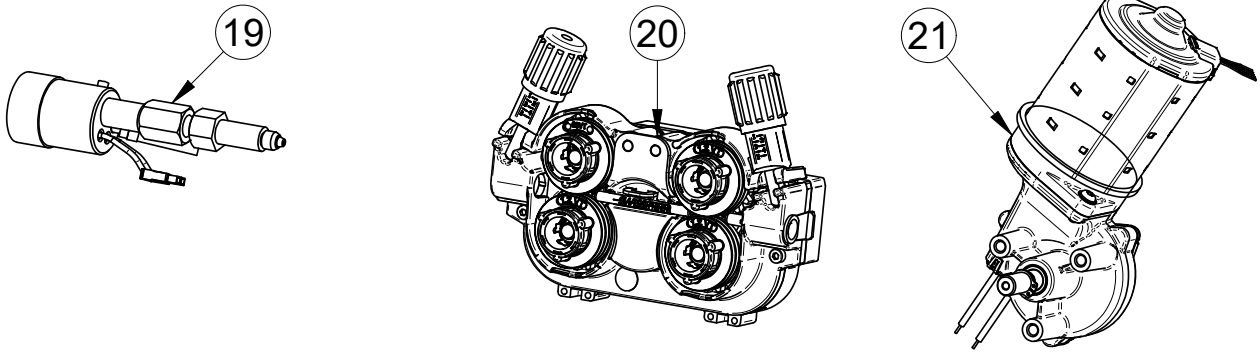


Figure C

Figure C: Wire Drive Assembly

Item	Description	Part Number	QTY	1	2	3	4	5	6	7
19	EURO SOCKET	T-8040-051-1R	1	X						
20	WIRE FEEDER	0744-000-009R	1	X						
21	WIRE MOTOR	T-8040-049-1R	1	X						

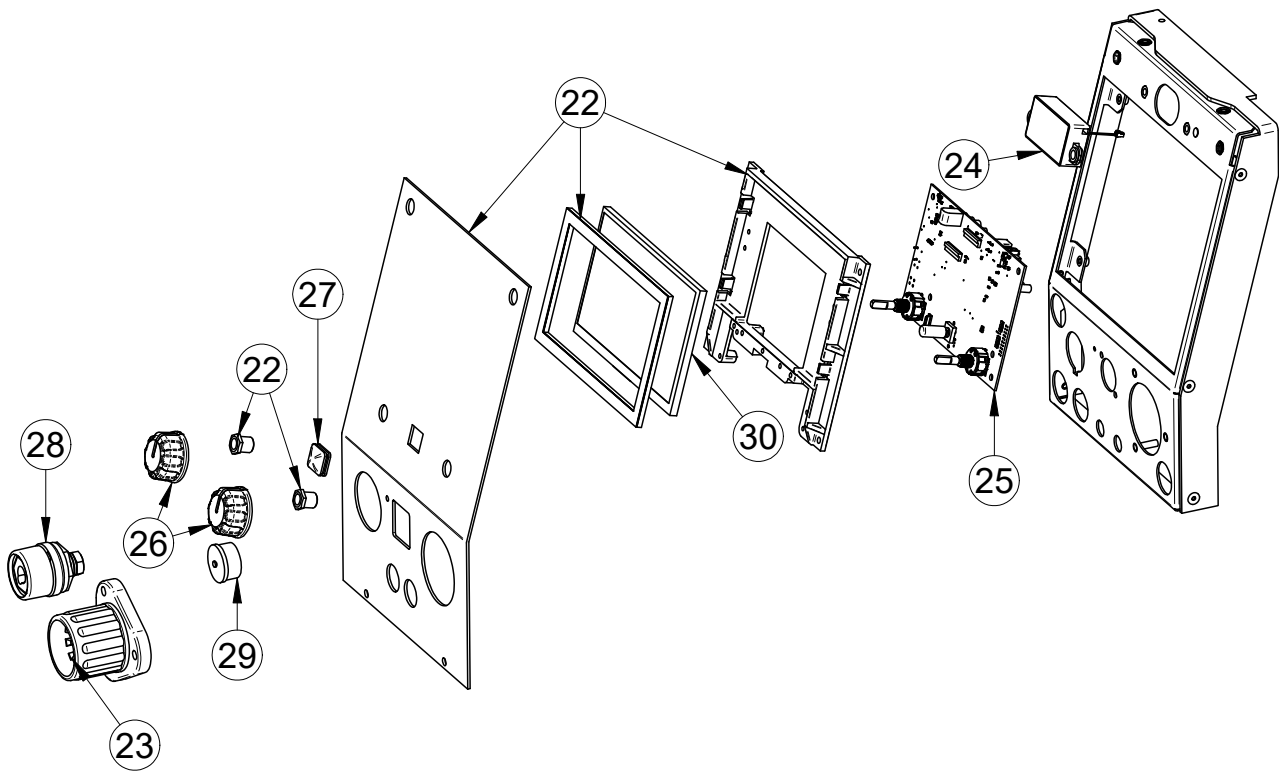


Figure D

Figure D: Front Assembly

Item	Description	Part Number	QTY	1	2	3	4	5	6	7
22	FRONT PANEL KIT:	T-8040-121-1R	1	X						
	DISPLAY FRONT PANEL		1	X						
	DISPLAY GASKET		1	X						
	PLASTIC FRAME		1	X						
	ENCODER REDUCTION		2	X						
23	EURO SLEEVE	C-1891-006-1R	1	X						
24	SPEAKER	0943-719-016R	1	X						
25	USER INTERFACE PCB	R-6042-098-1R	1	X						
26	KNOB	9SM22778-2	2	X						
27	BUTTON	9SS23055	1	X						
28	SOCKET	90000595PR	1	X						
29	SOCKET COVER	1158-641-159R	1	X						
30	LCD	0942-177-002R	1	X						

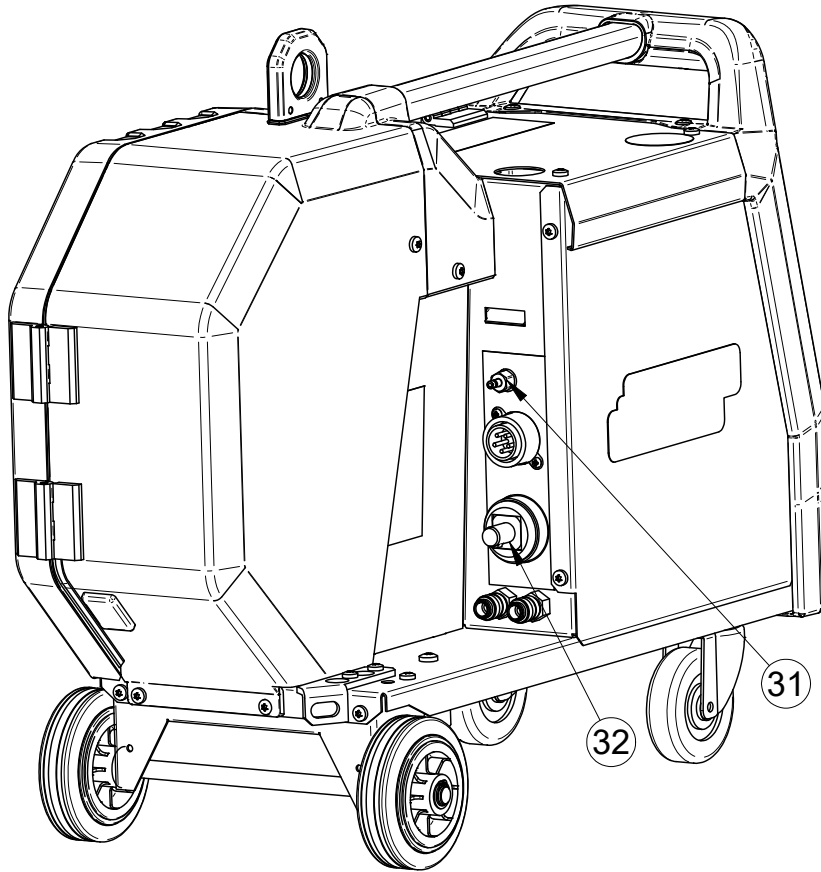


Figure E

Figure E: Back Panel

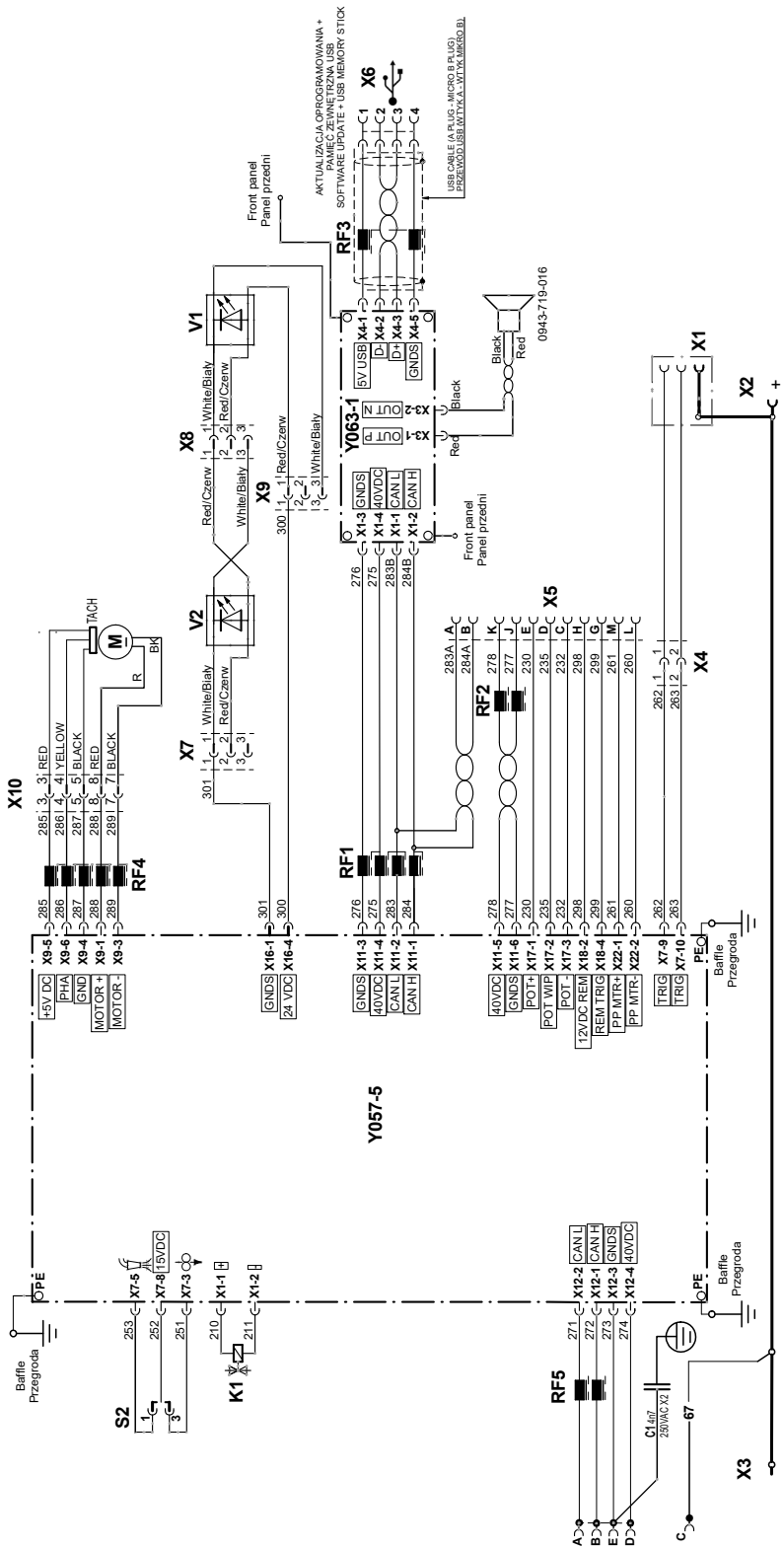
Item	Description	Part Number	QTY	1	2	3	4	5	6	7
31	GAS CONNECTION KIT	T-8040-055-1R	1	X						
32	SOCKET	D-2985-002-1R	1	X						

Miscellaneous Items (not shown in figure A, B, C, D, E)

Item	Description	Part Number	QTY	1	2	3	4	5	6	7
33	HARNESS KIT	T-8040-054-1R	1	X						

Electrical Schematic

CODE: 50580



WIRE COLOURS / OPIS KOLORÓW:
 BK: BLACK / CZARNY
 Y: YELLOW / ŻÓŁTY
 YG: YELLOW-GREEN / ŻÓŁTO-ZIELONY
 R: RED / CZERWONY