

PF41

Spare Parts	1
PF41	1
Figure A, B, C: Machine Assembly	2
Figure D: Divider Assembly	3
Figure E: Wire Drive Assembly	4
Figure F: User Interface Assembly.....	5
Miscellaneous Items (not shown in figure A, B, C, D, E, F).....	5
Electrical Schematic	6
WEEE.....	7



Spare Parts

SP50385 REV00
12/05

PF41

ASSEMBLY PAGE NAME			Machine Assembly	Machine Assembly	Machine Assembly	Divider Assembly	Wire Drive Assembly	User Interface Assembly	Miscellaneous Items
CODE NO.:	K NO.:	FIGURE NO.:	A	B	C	D	E	F	-
50385	K14163-1	PF 41	1	1	1	1	1	1	1

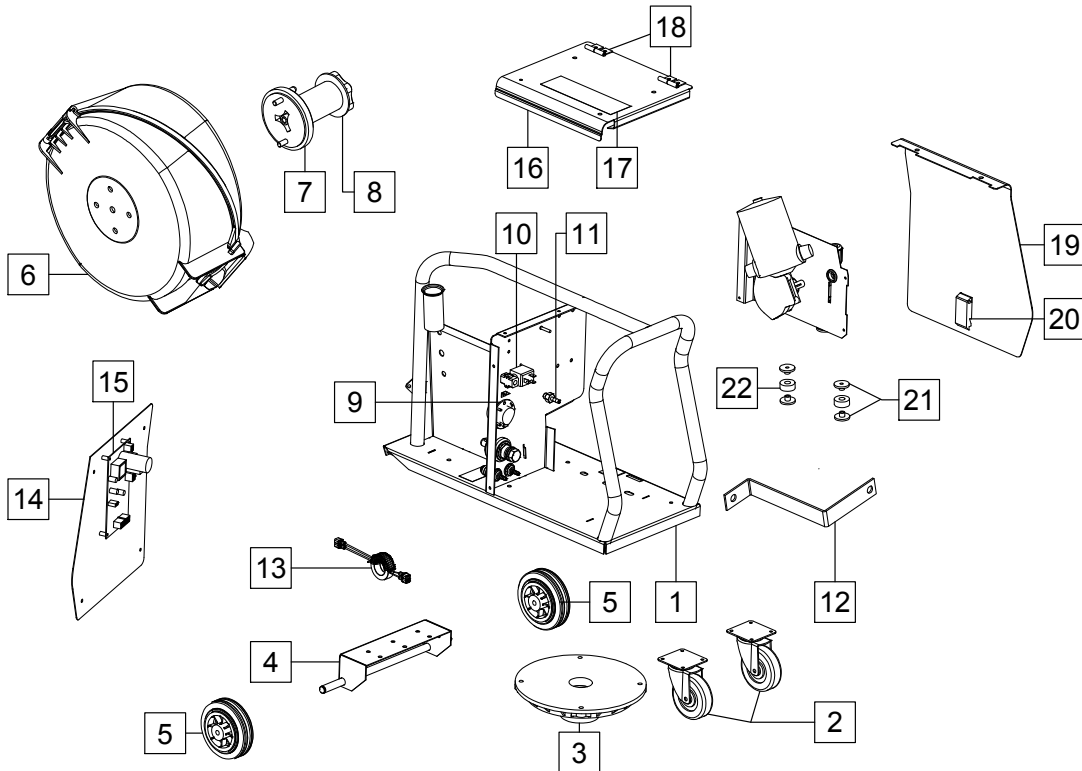


Figure A

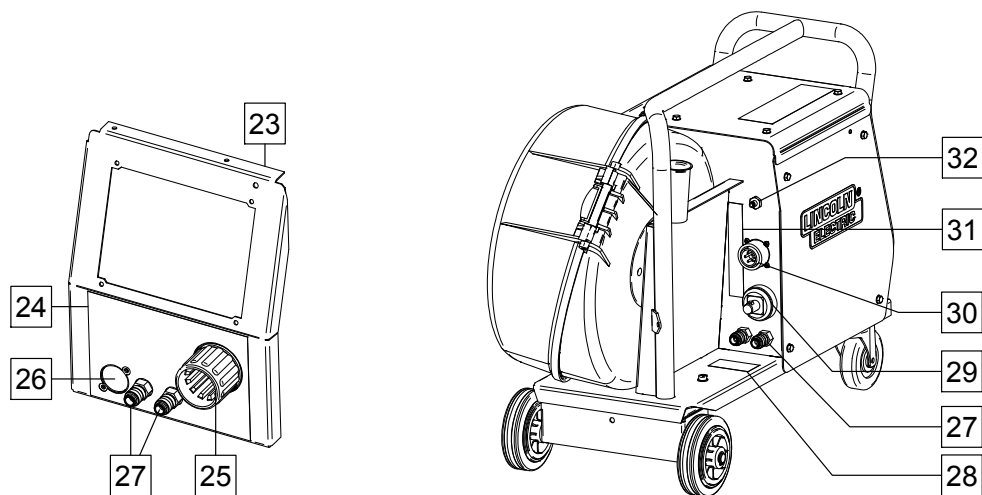


Figure B

Figure C

Figure A, B, C: Machine Assembly

Item	Description	Part Number	QTY	1	2	3	4	5	6	7
1	RACK	R-3019-315-1/08R	1	X						
2	FRONT WHEELS	1029-660-004R	2	X						
3	ROTARY BRACKET	1361-598-180R	1	X						
4	WHEELS BRACKET	R-3019-326-1/08R	1	X						
5	REAR WHEELS	1029-660-006R	2	X						
6	PLASTIC COVER	R-0010-178-1R	1	X						
7	REEL HUB STANDARD	0744-000-192R	1	X						
8	PLASIC NUT	B11035-1	1	X						
9	RING	R-2013-032-5R	1	X						
10	GAS SOLENOID	W8500004R	1	X						
11	COUPLER	R-2013-060-1R	1	X						
12	CONDUCTOR RAIL	R-1010-009-2R	1	X						
13	CHOKE	R-5041-228-1R	1	X						
14	LEFT SIDE PANEL	R-1019-226-2R	1	X						
15	MOTOR BOARD	R-6042-068-1R	1	X						
16	COVER	R-3019-162-1/02R	1	X						
17	STICKER	2719-107-728R	1	X						
18	HINGLES	D-3574-007-1/33R	2	X						
19	WIRE DRIVE DOOR	R-1019-224-1R	1	X						
20	LOCK	0654-610-004R	1	X						
21	SLEEVES	1361-599-720R	4	X						
22	SLEEVS	D-1869-033-3R	2	X						
23	FRONT PANEL	R-3019-275-8/08R	1	X						
24	STICKER (FRONT PANEL)	R-0010-633-1R	1	X						
25	EURO SLEEVE	1361-599-708R	1	X						
26	SHIELD	R-1019-361-1/08R	1	X						
27	QUICK CONNECTOR FEMALE	0744-000-152R	4	X						
28	STICKER	R-0010-290-1R	1	X						
29	SOCKET X2	D-2985-002-1R	1	X						
30	SOCKET X6	1158-641-148R	1	X						
31	STICKER	R-0010-354-1R	1	X						
32	QUICK CONNECT COUPLING	0744-000-149R	1	X						

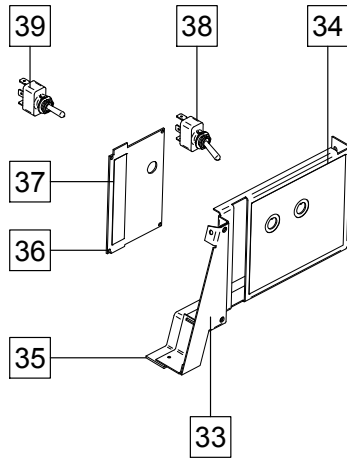


Figure D.

Figure D: Divider Assembly

Item	Description	Part Number	QTY	1	2	3	4	5	6	7
33	DIVIDER	R-3019-287-5/08R	1	X						
34	STICKER	R-0010-481-1R	1	X						
35	SHIELD	R-0010-528-1R	1	X						
36	SHIELD	R-1019-329-1/08R	1	X						
37	STICKER	R-0010-502-1R	1	X						
38	SWITCH S2	1115-280-005R	1	X						
39	SWITCH S1	1115-280-004R	1	X						

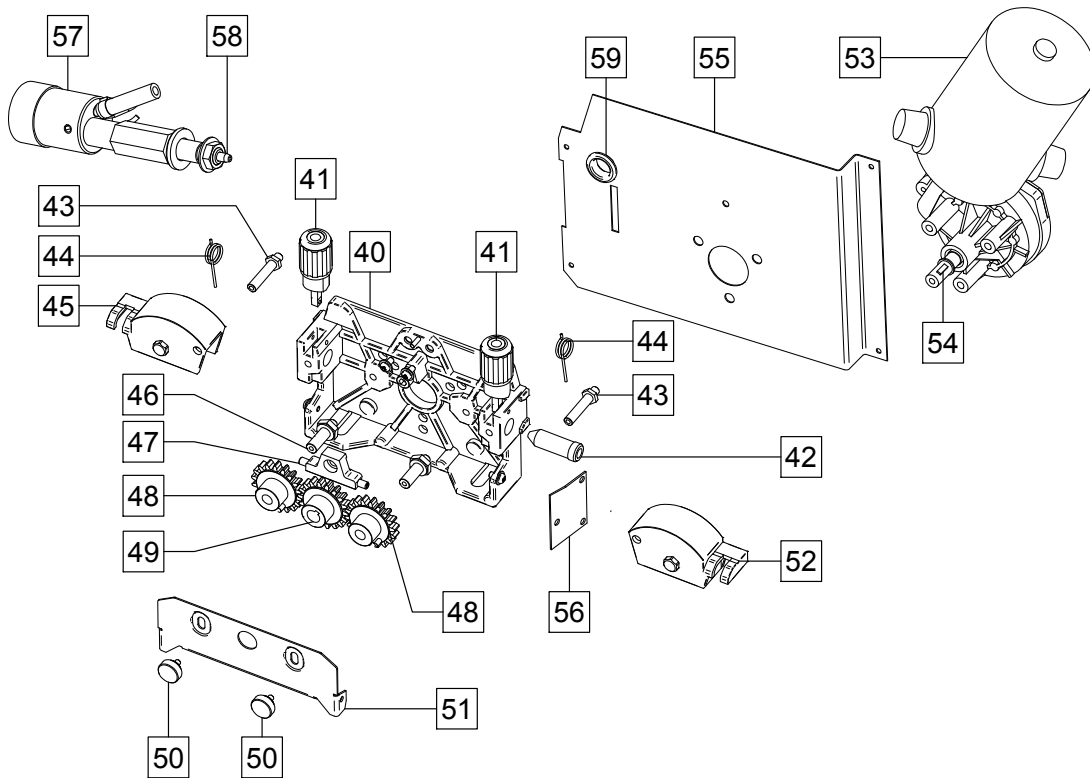


Figure E

Figure E: Wire Drive Assembly

Item	Description	Part Number	QTY	1	2	3	4	5	6	7
	WIRE DRIVE ASSEMBLY	0744-000-241R	1	X						
40	FEED PLATE	0646-233-002R	1	X						
41	FIXING ARMS COMPL.	0646-233-015R	2	X						
42	INLET GUIDE	0646-233-025R	1	X						
43	AXIS PRESSURE ARMS	0646-233-003R	2	X						
44	SPRING PRESSURE ARMS	0646-233-013R	2	X						
45	PRESSURE ARM COMPL.L	0646-233-007R	1	X						
46	AXIS DRIVE ROLL	0646-233-020R	2	X						
47	INTERMEDIATE GUIDES	0646-233-023R	1	X						
48	GEAR WHEEL ROLLS	0646-231-090R	2	X						
49	GEAR WHEEL MOTOR	0646-233-028R	1	X						
50	FIXING CAPS	0744-000-190R	2	X						
51	METAL COVER	0646-233-027R	1	X						
52	PRESSURE ARM COMPL.R	0646-233-005R	1	X						
53	MOTOR	R-8040-024-4R	1	X						
54	WOODROF KEY	0646-231-102R	1	X						
55	DIVIDER	R-1019-207-1/08R	1	X						
56	WIRE DRIVE SHIELD	R-1019-385-1/08R	1	X						
57	EURO SOCKET X3	R-8040-140-7R	1	X						
58	OUTLET GUIDE	D-1829-066-3R	1	X						
59	RUBBER BUSH	1373-182-002R	1	X						

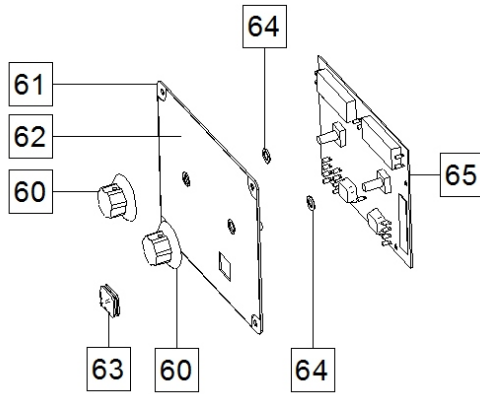


Figure F

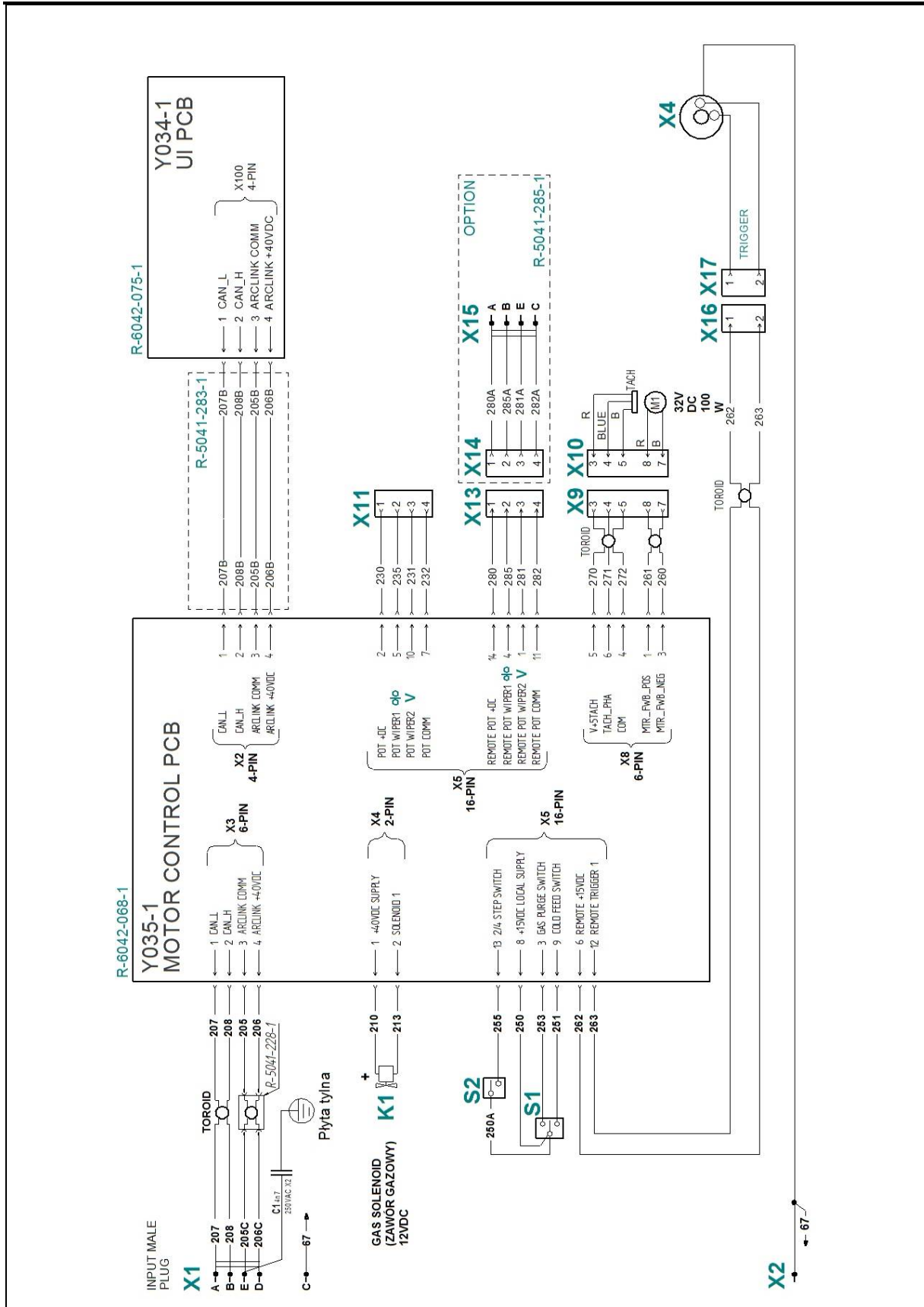
Figure F: User Interface Assembly

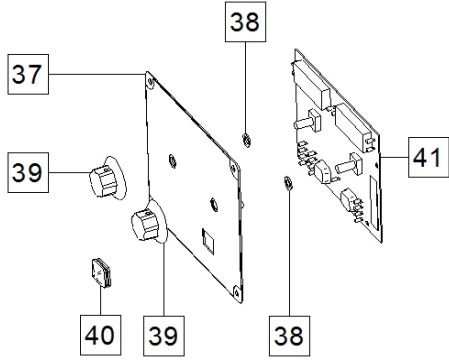
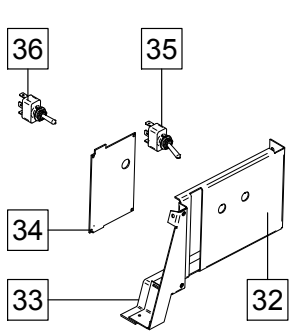
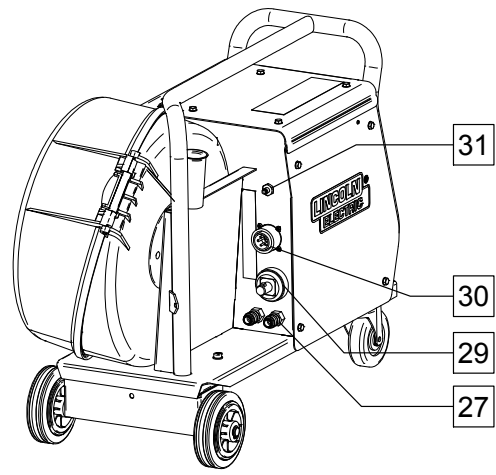
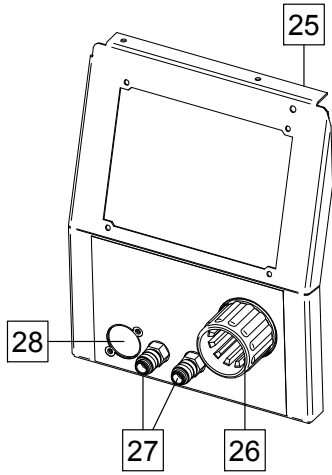
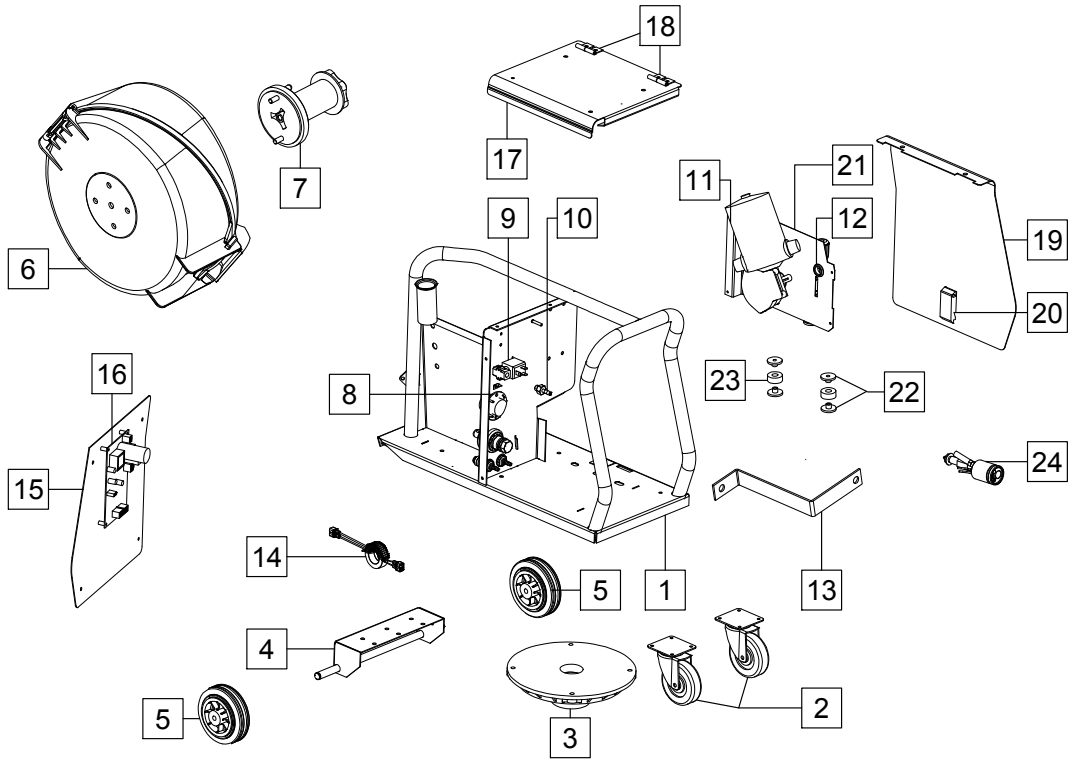
Item	Description	Part Number	QTY	1	2	3	4	5	6	7
60	KNOBS	9ET10491R	2	X						
61	PANEL	R-3019-298-1/08R	1	X						
62	STICKER	R-0010-634-1R	1	X						
63	BUTTON	9SS23055	1	X						
64	WASHER	R-1012-654-1R	2	X						
65	USER INTERFACE	R-6042-075-1R	1	X						

Miscellaneous Items (not shown in figure A, B, C, D, E, F)

Item	Description	Part Number	QTY	1	2	3	4	5	6	7
66	WIRE (UI)	R-5041-283-1R	1	X						
67	WIRING HARNESS	R-5041-279-1R	1	X						

Electrical Schematic





Description	Ref.	Recycle				ST				
		Fe	Al	Cu	Brass	Boards	Plastics	Liquid Cristal	External Electric Cables	Capacitors
RACK	1	X								
COVER	17	X								
SIDE PANEL	15, 19	X								
LOCK	20						X			
HINGLES	18	X								
WHEELS	2, 5		X				X			
ROTARY BRACKET	3						X			
WHEELS BRACKET	4	X								
PLASTIC COVER	6						X			
REEL HUB	7	X					X			
RING	8		X							
GAS SOLENOID	9	X		X	X					
COUPLERS	10, 27, 31				X					
WIRE DRIVE ASSEMBLY	11	X		X			X			
RUBBER CABLE BUSH	12						X			
CONDUCTOR RAIL	13			X						
CHOKE	14	X							X	
P.C. BOARD	16, 41					X				
SLEEVES	22, 23						X			
DIVIDER	21, 32	X								
EURO SOCKET	24				X					
FRONT PANEL	25	X								
EURO SLEEVE	26						X			
SHIELD	28, 34	X								
SHIELD	33						X			
SOCKETS	29, 30	X		X			X			
SWITCHES	35, 36	X			X					
PANEL	37	X								
WASHERS	38	X								
KNOBS	39						X			
BUTTON	40						X			