

# LACI Production Monitoring Module

---

Spare Parts ..... 1  
Electrical Schematic..... 3



Lincoln Electric Bester Sp. z o.o.  
ul. Jana III Sobieskiego 19A, 58-263 Bielawa, Poland  
[www.lincolnelectric.eu](http://www.lincolnelectric.eu)

# Spare Parts

---

SP50310rev01  
02/16

## K14130-1 COMMUNICATION INTERFACE (ETHERNET BOX)

ASSEMBLY PAGE NAME		Machine Assembly	
CODE NO.:	FIGURE NO.:	A	
50310	COMMUNICATION INTERFACE (ETHERNET BOX)	1	

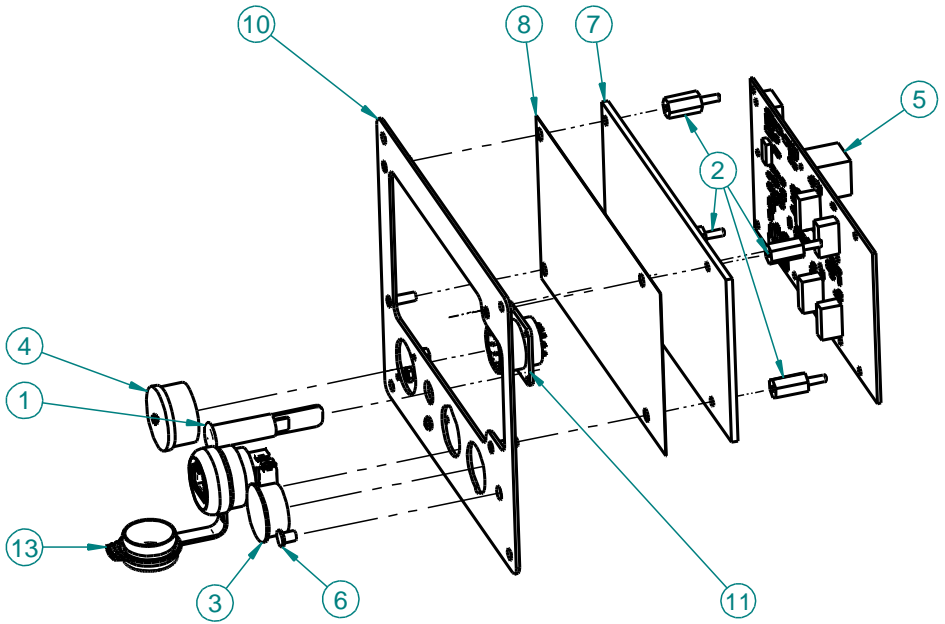


FIGURE A: MACHINE ASSEMBLY

Item	Description	Part number	Q-ty
1	LAMP RED/GREEN	0917-421-009R	1
2	PCB BRACKET	1158-632-018R	4
3	PGM-22 BLACK HOLE PLUG	0744-000-258R	1
4	CAP	1158-641-159R	1
5	COMMUNICATION INTERFACE	9SG7761	1
6	HOLE PLUG	1159-190-073R	1
7	COVER	R-0010-521-1R	1
8	NAMEPLATE	R-0010-525-1R	1
9	ETHERNET CABLE	R-0010-559-1R	1
10	METAL PANEL	R-3019-353-1/08R	1
11	SOCKET WITH HARNESS	R-5041-360-1R	1
12	HARNESS	R-5041-364-3R	1
13	ETHERNET SOCKET	1159-190-070R	1

# Electrical Schematic

