

PF40

| | |
|-----------------------------------------------------------------|---|
| Spare Parts | 1 |
| PF40 | 1 |
| Figure A, B, C: Machine Assembly | 2 |
| Figure D: Divider Assembly | 3 |
| Figure E: Wire Drive Assembly | 4 |
| Figure F: User Interface Assembly..... | 5 |
| Miscellaneous Items (not shown in figure A, B, C, D, E, F)..... | 5 |
| Electrical Schematic | 6 |
| WEEE..... | 7 |



Spare Parts

SP50265 REV00
12/05

PF40

| ASSEMBLY PAGE NAME | | | Machine Assembly | Machine Assembly | Machine Assembly | Divider Assembly | Wire Drive Assembly | User Interface Assembly | Miscellaneous Items |
|--------------------|----------|-------------|------------------|------------------|------------------|------------------|---------------------|-------------------------|---------------------|
| CODE NO.: | K NO.: | FIGURE NO.: | A | B | C | D | E | F | - |
| 50265 | K14106-1 | PF 40 | 1 | 1 | 1 | 1 | 1 | 1 | 1 |

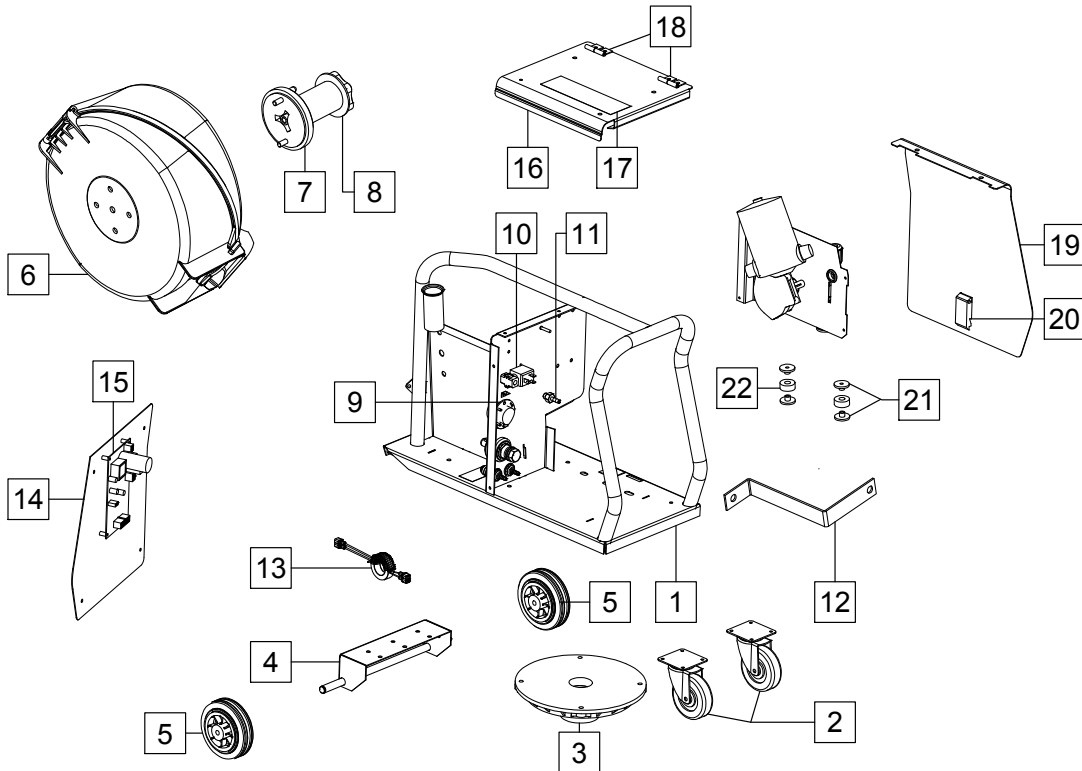


Figure A

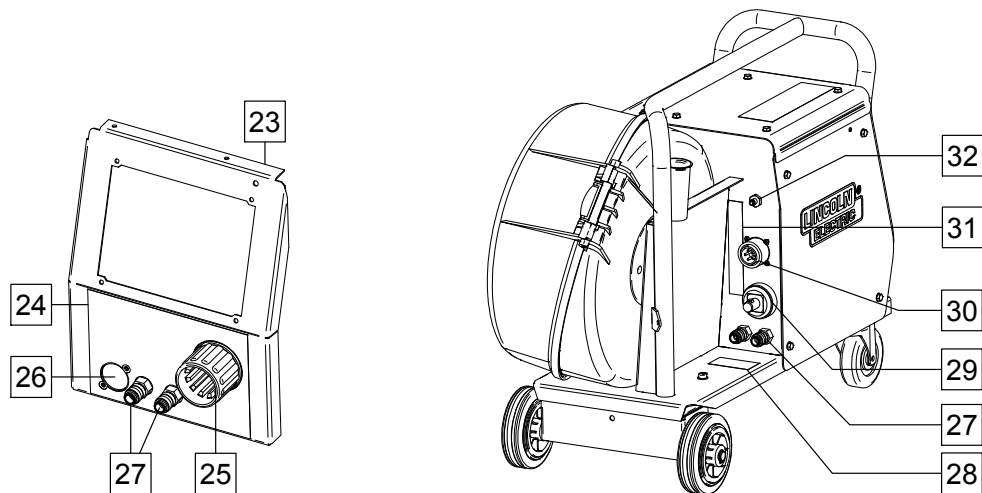


Figure B

Figure C

Figure A, B, C: Machine Assembly

| Item | Description | Part Number | QTY | 1 | 2 | 3 | 4 | 5 | 6 | 7 |
|------|------------------------|------------------|-----|---|---|---|---|---|---|---|
| 1 | RACK | R-3019-315-1/08R | 1 | X | | | | | | |
| 2 | FRONT WHEELS | 1029-660-004R | 2 | X | | | | | | |
| 3 | ROTARY BRACKET | 1361-598-180R | 1 | X | | | | | | |
| 4 | WHEELS BRACKET | R-3019-326-1/08R | 1 | X | | | | | | |
| 5 | REAR WHEELS | 1029-660-006R | 2 | X | | | | | | |
| 6 | PLASTIC COVER | R-0010-178-1R | 1 | X | | | | | | |
| 7 | REEL HUB STANDARD | 0744-000-192R | 1 | X | | | | | | |
| 8 | PLASIC NUT | B11035-1 | 1 | X | | | | | | |
| 9 | RING | R-2013-032-5R | 1 | X | | | | | | |
| 10 | GAS SOLENOID | W8500004R | 1 | X | | | | | | |
| 11 | COUPLER | R-2013-060-1R | 1 | X | | | | | | |
| 12 | CONDUCTOR RAIL | R-1010-009-2R | 1 | X | | | | | | |
| 13 | CHOKE | R-5041-228-1R | 1 | X | | | | | | |
| 14 | LEFT SIDE PANEL | R-1019-226-2R | 1 | X | | | | | | |
| 15 | MOTOR BOARD | R-6042-068-1R | 1 | X | | | | | | |
| 16 | COVER | R-3019-162-1/02R | 1 | X | | | | | | |
| 17 | STICKER | 2719-107-728R | 1 | X | | | | | | |
| 18 | HINGLES | D-3574-007-1/33R | 2 | X | | | | | | |
| 19 | WIRE DRIVE DOOR | R-1019-224-1R | 1 | X | | | | | | |
| 20 | LOCK | 0654-610-004R | 1 | X | | | | | | |
| 21 | SLEEVES | 1361-599-720R | 4 | X | | | | | | |
| 22 | SLEEVES | D-1869-033-3R | 2 | X | | | | | | |
| 23 | FRONT PANEL | R-3019-275-8/08R | 1 | X | | | | | | |
| 24 | STICKER (FRONT PANEL) | R-0010-490-1R | 1 | X | | | | | | |
| 25 | EURO SLEEVE | 1361-599-708R | 1 | X | | | | | | |
| 26 | SHIELD | R-1019-361-1/08R | 1 | X | | | | | | |
| 27 | QUICK CONNECTOR FEMALE | 0744-000-152R | 4 | X | | | | | | |
| 28 | STICKER | R-0010-290-1R | 1 | X | | | | | | |
| 29 | SOCKET X2 | D-2985-002-1R | 1 | X | | | | | | |
| 30 | SOCKET X6 | 1158-641-148R | 1 | X | | | | | | |
| 31 | STICKER | R-0010-354-1R | 1 | X | | | | | | |
| 32 | QUICK CONNECT COUPLING | 0744-000-149R | 1 | X | | | | | | |

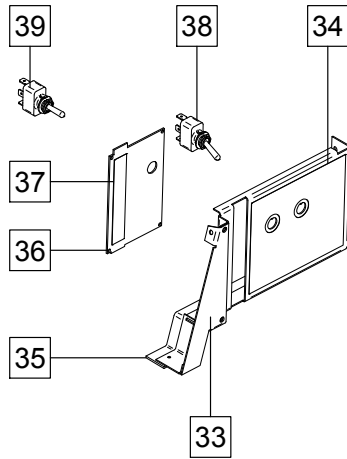


Figure D.

Figure D: Divider Assembly

| Item | Description | Part Number | QTY | 1 | 2 | 3 | 4 | 5 | 6 | 7 |
|------|-------------|------------------|-----|---|---|---|---|---|---|---|
| 33 | DIVIDER | R-3019-287-5/08R | 1 | X | | | | | | |
| 34 | STICKER | R-0010-481-1R | 1 | X | | | | | | |
| 35 | SHIELD | R-0010-528-1R | 1 | X | | | | | | |
| 36 | SHIELD | R-1019-329-1/08R | 1 | X | | | | | | |
| 37 | STICKER | R-0010-502-1R | 1 | X | | | | | | |
| 38 | SWITCH S2 | 1115-280-005R | 1 | X | | | | | | |
| 39 | SWITCH S1 | 1115-280-004R | 1 | X | | | | | | |

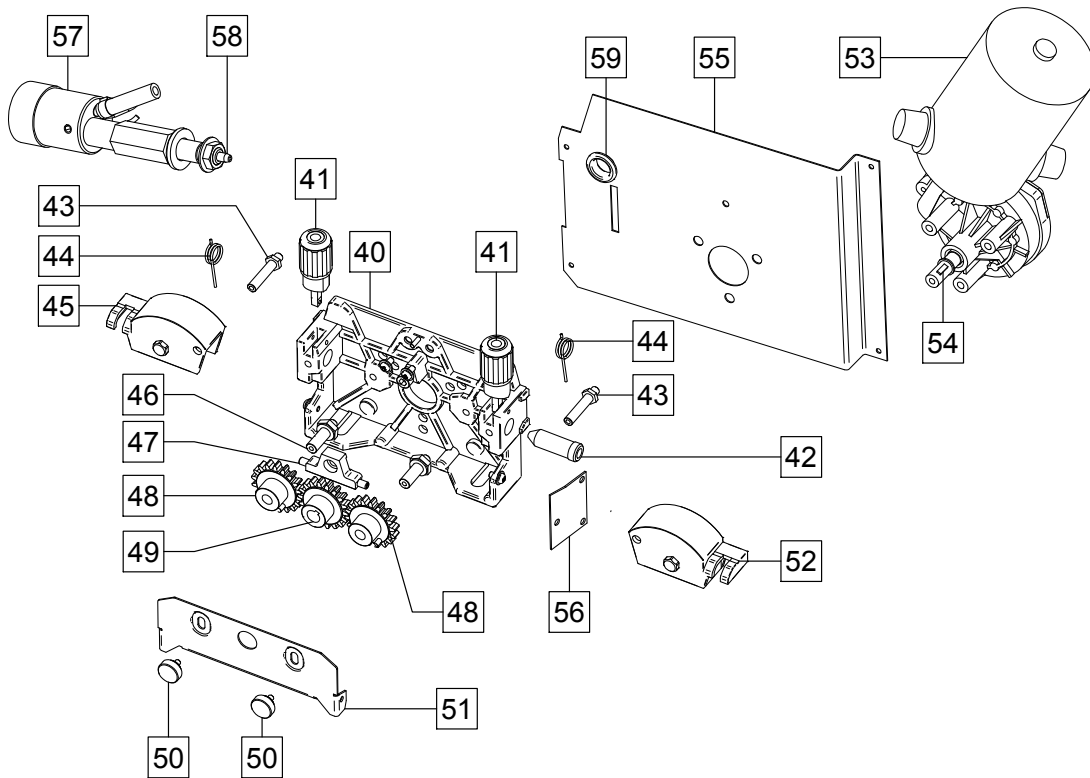


Figure E

Figure E: Wire Drive Assembly

| Item | Description | Part Number | QTY | 1 | 2 | 3 | 4 | 5 | 6 | 7 |
|------|----------------------|------------------|-----|---|---|---|---|---|---|---|
| | WIRE DRIVE ASSEMBLY | 0744-000-241R | 1 | X | | | | | | |
| 40 | FEED PLATE | 0646-233-002R | 1 | X | | | | | | |
| 41 | FIXING ARMS COMPL. | 0646-233-015R | 2 | X | | | | | | |
| 42 | INLET GUIDE | 0646-233-025R | 1 | X | | | | | | |
| 43 | AXIS PRESSURE ARMS | 0646-233-003R | 2 | X | | | | | | |
| 44 | SPRING PRESSURE ARMS | 0646-233-013R | 2 | X | | | | | | |
| 45 | PRESSURE ARM COMPL.L | 0646-233-007R | 1 | X | | | | | | |
| 46 | AXIS DRIVE ROLL | 0646-233-020R | 2 | X | | | | | | |
| 47 | INTERMEDIATE GUIDES | 0646-233-023R | 1 | X | | | | | | |
| 48 | GEAR WHEEL ROLLS | 0646-231-090R | 2 | X | | | | | | |
| 49 | GEAR WHEEL MOTOR | 0646-233-028R | 1 | X | | | | | | |
| 50 | FIXING CAPS | 0744-000-190R | 2 | X | | | | | | |
| 51 | METAL COVER | 0646-233-027R | 1 | X | | | | | | |
| 52 | PRESSURE ARM COMPL.R | 0646-233-005R | 1 | X | | | | | | |
| 53 | MOTOR | R-8040-024-4R | 1 | X | | | | | | |
| 54 | WOODROF KEY | 0646-231-102R | 1 | X | | | | | | |
| 55 | DIVIDER | R-1019-207-1/08R | 1 | X | | | | | | |
| 56 | WIRE DRIVE SHIELD | R-1019-385-1/08R | 1 | X | | | | | | |
| 57 | EURO SOCKET X3 | R-8040-140-7R | 1 | X | | | | | | |
| 58 | OUTLET GUIDE | D-1829-066-3R | 1 | X | | | | | | |
| 59 | RUBBER BUSH | 1373-182-002R | 1 | X | | | | | | |

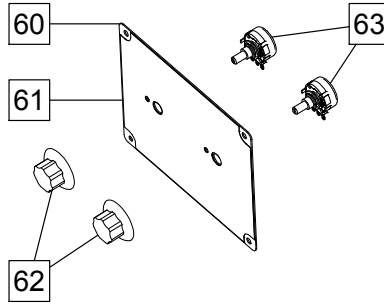


Figure F

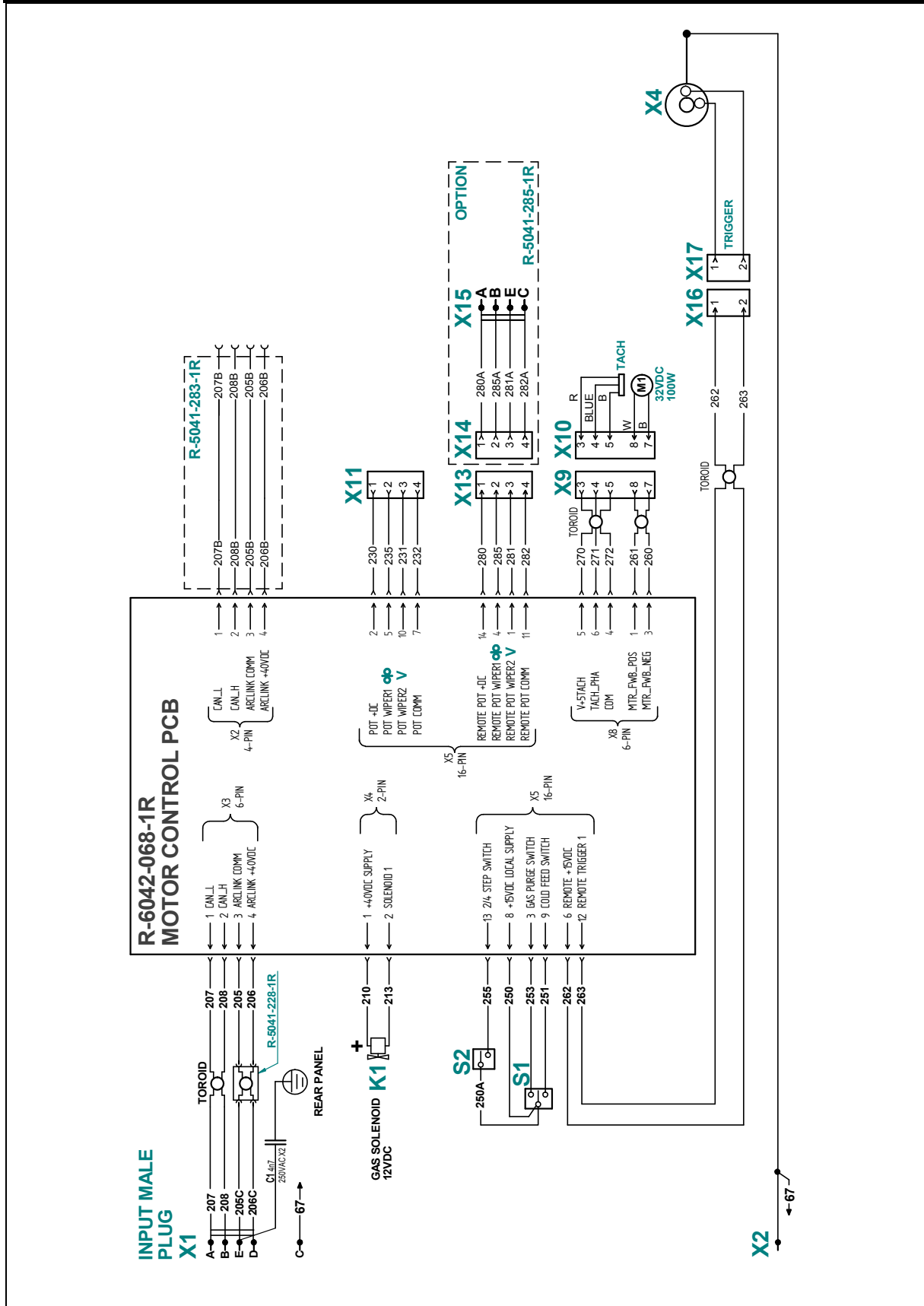
Figure F: User Interface Assembly

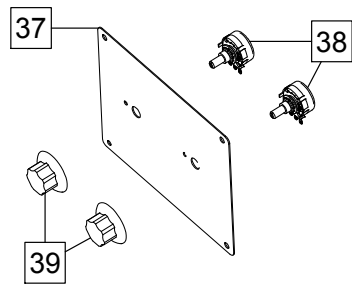
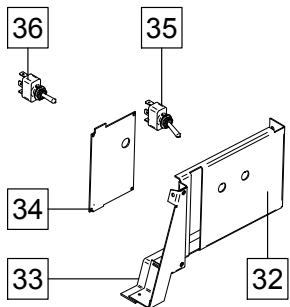
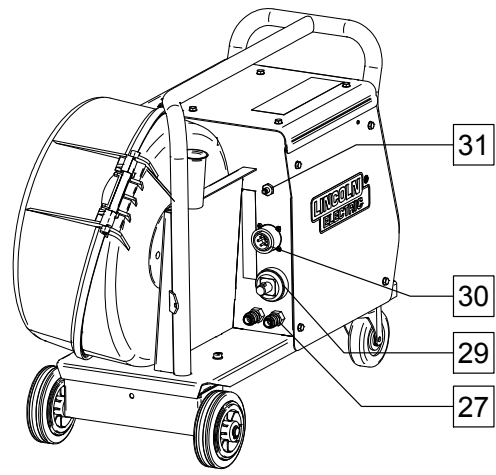
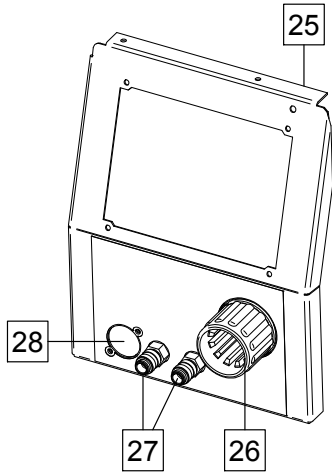
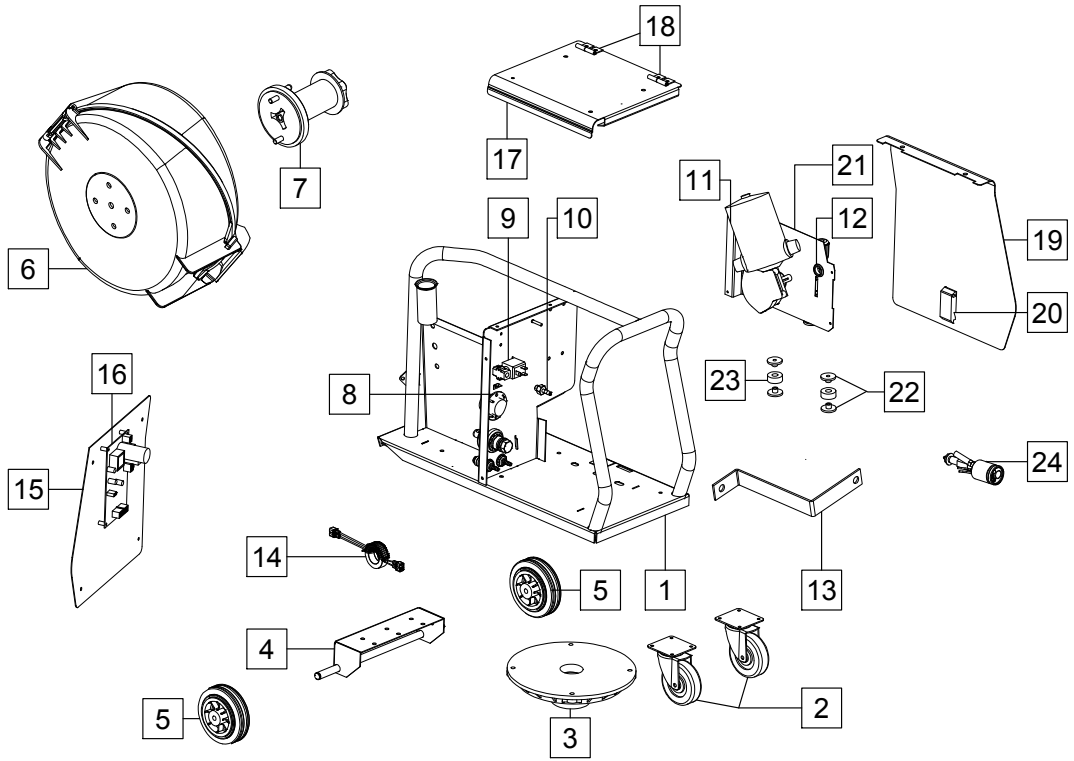
| Item | Description | Part Number | QTY | 1 | 2 | 3 | 4 | 5 | 6 | 7 |
|------|-----------------------|------------------|-----|---|---|---|---|---|---|---|
| 60 | PANEL | R-1012-611-1/08R | 1 | X | | | | | | |
| 61 | STICKER | R-0010-485-1R | 1 | X | | | | | | |
| 62 | KNOBS | 9ET10491R | 2 | X | | | | | | |
| 63 | POTENCIOMETERS R1, R2 | 1158-113-013R | 2 | X | | | | | | |

Miscellaneous Items (not shown in figure A, B, C, D, E, F)

| Item | Description | Part Number | QTY | 1 | 2 | 3 | 4 | 5 | 6 | 7 |
|------|----------------|---------------|-----|---|---|---|---|---|---|---|
| 64 | WIRE (UI) | R-5041-283-1R | 1 | X | | | | | | |
| 65 | WIRING HARNESS | R-5041-279-1R | 1 | X | | | | | | |

Electrical Schematic





| | |
|---------|----|
| Recycle | ST |
|---------|----|

| Description | Ref. | Fe | Al | Cu | Brass | Boards | Plastics | Liquid Cristal | External Electric Cables | Capacitors |
|---------------------|------------|----|----|----|-------|--------|----------|----------------|--------------------------|------------|
| | | | | | | | | | | |
| RACK | 1 | X | | | | | | | | |
| COVER | 17 | X | | | | | | | | |
| SIDE PANEL | 15, 19 | X | | | | | | | | |
| LOCK | 20 | | | | | | X | | | |
| HINGLES | 18 | X | | | | | | | | |
| WHEELS | 2, 5 | | X | | | | X | | | |
| ROTARY BRACKET | 3 | | | | | | X | | | |
| WHEELS BRACKET | 4 | X | | | | | | | | |
| PLASTIC COVER | 6 | | | | | | X | | | |
| REEL HUB | 7 | X | | | | | X | | | |
| RING | 8 | | X | | | | | | | |
| GAS SOLENOID | 9 | X | | X | X | | | | | |
| COUPLERS | 10, 27, 31 | | | | X | | | | | |
| WIRE DRIVE ASSEMBLY | 11 | X | | X | | | X | | | |
| RUBBER CABLE BUSH | 12 | | | | | | X | | | |
| CONDUCTOR RAIL | 13 | | | X | | | | | | |
| CHOKE | 14 | X | | | | | | | X | |
| P.C. BOARD | 16 | | | | | X | | | | |
| SLEEVES | 22, 23 | | | | | | X | | | |
| DIVIDER | 21, 32 | X | | | | | | | | |
| EURO SOCKET | 24 | | | | X | | | | | |
| FRONT PANEL | 25 | X | | | | | | | | |
| EURO SLEEVE | 26 | | | | | | X | | | |
| SHIELD | 28, 34 | X | | | | | | | | |
| SHIELD | 33 | | | | | | X | | | |
| SOCKETS | 29, 30 | X | | X | | | X | | | |
| SWITCHES | 35, 36 | X | | | X | | | | | |
| PANEL | 37 | X | | | | | | | | |
| POTENCIOMETERS | 38 | X | | | | | | | | |
| KNOBS | 39 | | | | | | X | | | |