

POWERTEC

350C PRO, 355C PRO & 425C PRO

Spare Parts	1
Figure A: Machine Assembly	1
Figure B: Machine Assembly	3
Figure C: Machine Assembly	5
Figure D: Machine Assembly	5
Figure E: Wire Drive Assembly	6
Miscellaneous Items (not shown in figure A, B, C, D, E).....	6
Electrical Schematic	7
WEEE	9



Spare Parts

SP50227 / SP50228 / SP50229 REV03
12/05

ASSEMBLY PAGE NAME			Machine Assembly	Machine Assembly	Machine Assembly	Machine Assembly	Wire Drive Assembly	Miscellaneous Items
CODE NO.:	K NO.:	FIGURE NO.:	A	B	C	D	E	
50227	K14057-1	POWERTEC 305C PRO	1	1	1	1	1	
50228	K14058-1	POWERTEC 355C PRO	2	2	2	2	2	
50229	K14059-1A	POWERTEC 425C PRO	3	3	3	3	3	

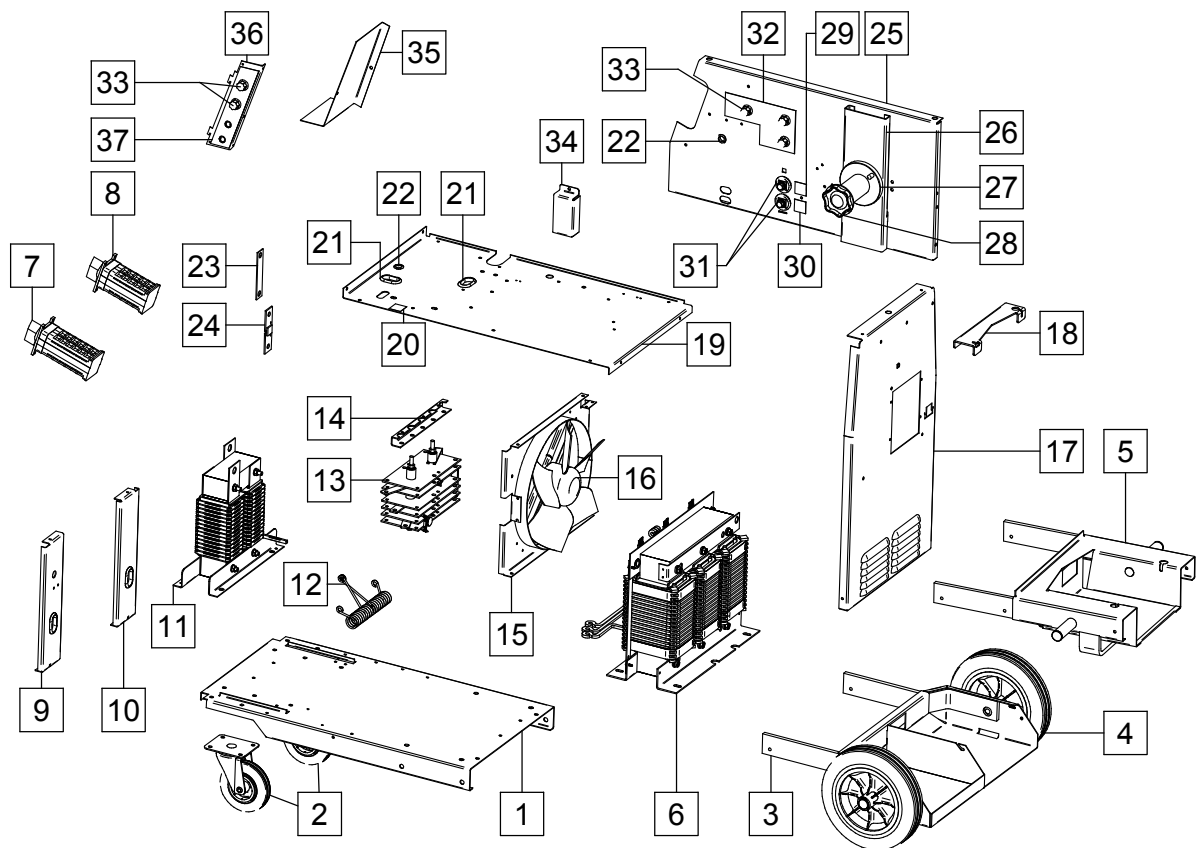


Figure A

Figure A: Machine Assembly

Item	Description	Part Number	QTY	1	2	3	4	5	6	7
1	BASE	R-1019-150-1/08R	1	●	●	●				
2	FRONT WHEELS	1029-660-127R	2	●	●	●				
3	SHELF	R-3019-026-1/08R	1	-	-	●				
4	REAR WHEELS	1029-660-250R	2	●	●	●				
5	SHELF	R-3019-042-1/08R	1	●	●	-				
6	TRANSFORMER T1	R-4034-058-1R	1	●	-	-				
	TRANSFORMER T1	R-4034-069-1R	1	-	●	-				
	TRANSFORMER T1	R-4034-068-1R	1	-	-	●				
7	SWITCH S1	1115-260-167R	1	●	-	-				
	SWITCH S1	1115-260-074R	1	-	●	●				
8	SWITCH S2	1115-260-166R	1	●	-	-				
	SWITCH S2	1115-260-073R	1	-	●	●				
9	BRACKET	R-1019-176-2/08R	1	●	●	●				

10	BRACKET	R-1019-176-1/08R	1	●	●	●				
11	CHOKE L1	R-4034-091-1R	1	●	●	●				
	THERMAL SENSOR 140°C	1115-769-013R	1	●	●	●				
	THERMAL SENSOR 65°C	1115-769-063R	1	●	●	●				
12	RESISTOR R1, R2	R-2013-035-2R	2	●	●	●				
13	RECTIFIER V1	R-0010-240-1R	1	●	-	-				
	RECTIFIER V1	R-0010-241-1R	1	-	●	-				
	RECTIFIER V1	R-0010-242-1R	1	-	-	●				
	THERMAL SENSOR 80°C	1115-769-003R	1	●	●	●				
	THERMAL SENSOR 115°C	1115-769-004R	1	●	●	●				
14	BRACKET	R-1019-175-1/08R	1	●	●	●				
15	PARTITION	R-3019-135-1/08R	1	●	●	●				
16	FAN	R-8040-055-3R	1	●	●	●				
17	REAR PANEL	R-3019-137-1/08R	1	●	●	●				
18	BRACKET	R-1019-153-1/08R	1	●	●	●				
19	SHELF	R-3019-128-1/08R	1	●	●	●				
20	STICKER	2719-107-732R	1	●	●	●				
21	RUBBER CABLE BUSH	1373-182-004R	4	●	●	●				
22	RUBBER CABLE BUSH	1373-182-002R	4	●	●	●				
23	CONDUCTOR RAIL	D-2218-186-1R	1	●	●	●				
24	SHUNT	0941-712-026R	1	●	●	●				
25	DIVIDER	R-3019-136-1/08R	1	●	●	●				
26	BRACKET	R-1019-159-1/08R	1	●	●	●				
27	REEL HUB STANDARD	0744-000-192R	1	●	●	●				
28	PLASIC NUT	B11035-1	1	●	●	●				
29	STICKER (PLUS)	R-0010-281-1/R	1	●	●	●				
30	STICKER (MINUS)	R-0010-281-2/R	1	●	●	●				
31	TERMINAL BLOCK OF CHANGING POLARITY X17	K14077-1	1	●	●	●				
32	STICKER	R-0010-275-1R	1	●	●	●				
33	KNOBS	9ET13639-3R	1	●	●	●				
34	SHIELD	R-1019-158-1R	1	●	●	●				
35	SHIELD	R-1019-187-1/08R	1	●	●	●				
36	SHIELD	R-1019-186-1/08R	1	●	●	●				
37	STICKER	R-0010-219-1R	1	●	●	●				

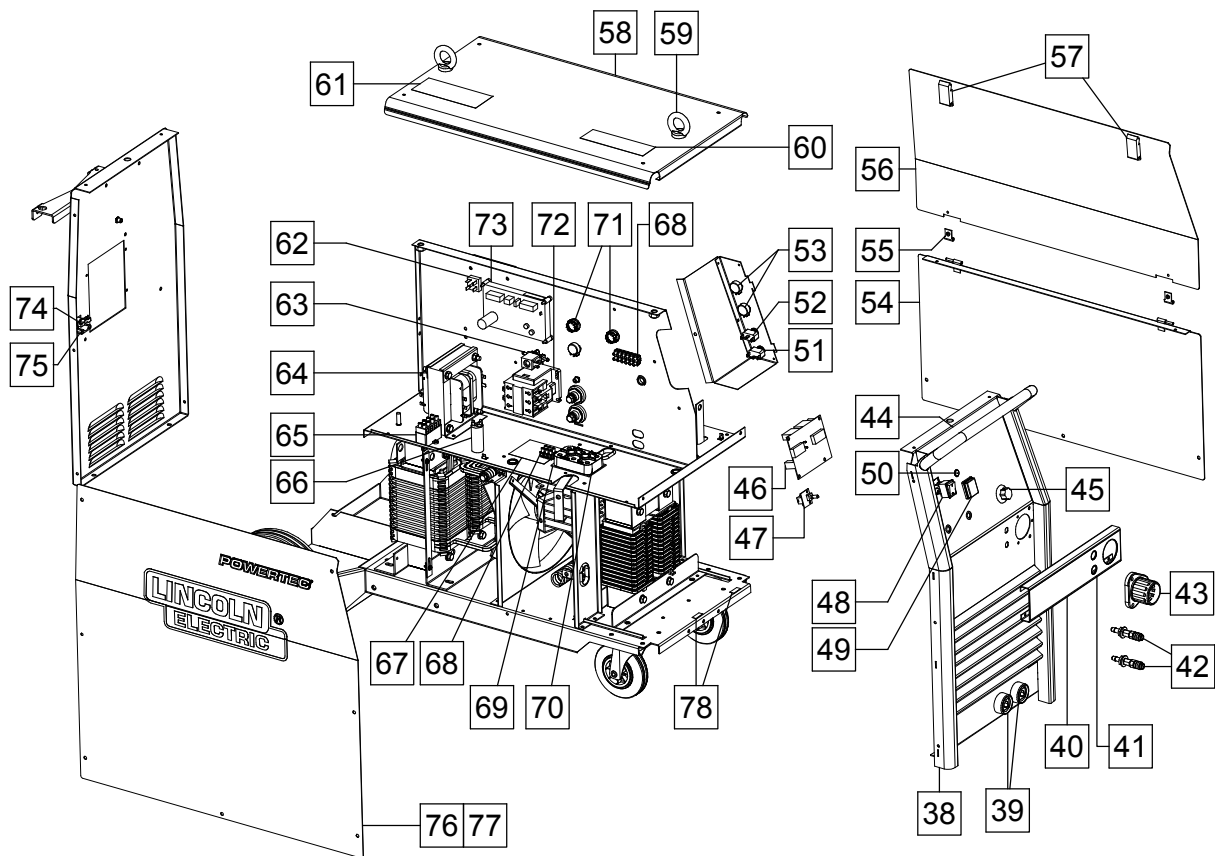


Figure B

Figure B: Machine Assembly

Item	Description	Part Number	QTY	1	2	3	4	5	6	7
38	FRONT PANEL	R-3019-139-1/08R	1	●	-	-				
	FRONT PANEL	R-3019-139-2/08R	1	-	●	●				
39	SOCKETS X2, X3	C-2986-001-2R	2	●	●	-				
	SOCKETS X2, X3	C-2986-001-3R	2	-	-	●				
40	COVER	R-1019-155-1/02R	1	●	●	●				
41	STICKER	R-0010-211-1R	1	●	-	-				
	STICKER	R-0010-212-1R	1	-	●	-				
	STICKER	R-0010-214-1R	1	-	-	●				
42	QUICK CONNECT COUPLING	D-1901-074-1R	2	-	-	●				
43	EURO SLEEVE	1361-599-708R	1	●	●	●				
44	STICKER	R-0010-244-1R	1	●	-	-				
	STICKER	R-0010-217-1R	1	-	●	●				
45	KNOB	9ET10491R	1	●	●	●				
46	PC BOARD US67-2	C-3731-400-2R	1	●	●	●				
47	PC BOARD PD-5	0918-432-073R	1	●	●	●				
48	SWITCH S3	1115-270-019R	1	●	●	●				
49	BLACK FLAME SHIELD	1115-299-073R	1	●	●	●				
50	LAMP H1	0917-421-024R	1	●	●	●				
51	SWITCH S6	1115-280-004R	1	●	●	●				
52	SWITCH S7	1115-280-005r	1	●	●	●				
53	POTENTIOMETER R11,R12, R13	1158-113-304R	3	●	●	●				
54	RIGHT SIDE PANEL	R-3019-140-1/02R	1	●	●	●				
55	HINGLES	D-3574-007-1/33R	2	●	●	●				
56	RIGHT SIDE PANEL	R-1019-184-1R	1	●	●	●				
57	LOCK	0654-610-004R	2	●	●	●				

58	COVER	R-1019-154-1/02R	1	●	●	●						
59	EYE BOLT	0653-313-012R	2	●	●	●						
60	STICKER	2719-107-728R	1	●	●	●						
61	STICKER	R-0010-279-1R	1	●	●	●						
62	RECTIFIER V2	1156-112-044R	1	●	●	●						
63	GAS SOLENOID	0972-423-012R	1	●	●	●						
64	TRANSFORMER T2	C-4244-384-1R	1	●	●	●						
65	FILTER RC	0874-400-011R	1	●	●	●						
66	CAPACITOR C4	1158-121-001R	1	●	●	●						
67	STICKER	R-0010-221-1R	1	●	●	●						
68	TERMINAL BLOCK X12, X13, X14	1131-990-005R	13	●	●	●						
69	PLATE	D-2731-731-1R	1	●	●	●						
70	TERMINAL BLOCK X6	1361-599-255R	1	●	●	●						
71	SWITCH S4, S5	D-4542-012-2R	2	●	●	●						
72	CONTACTOR K1	1115-212-201R	1	●	-	-						
	CONTACTOR K1	1115-212-242R	1	-	●	-						
	CONTACTOR K1	1115-212-243R	1	-	-	●						
73	PC BOARD	C-3731-399-3R	1	●	●	●						
74	CLAMP	1361-599-633R	1	●	●	●						
75	CABLE RELEIF	R-0010-258-1R	1	●	●	●						
76	LEFT SIDE PANEL	R-1019-177-1R	1	●	●	●						
77	STICKER - WIRING DIAGRAM (NOT SHOWN)	R-0010-262-1R	1	●	-	-						
	STICKER - WIRING DIAGRAM (NOT SHOWN)	R-0010-269-1R	1	-	●	●						
78	STICKER (INDUCTANCE)	2719-107-769R	1	●	●	●						

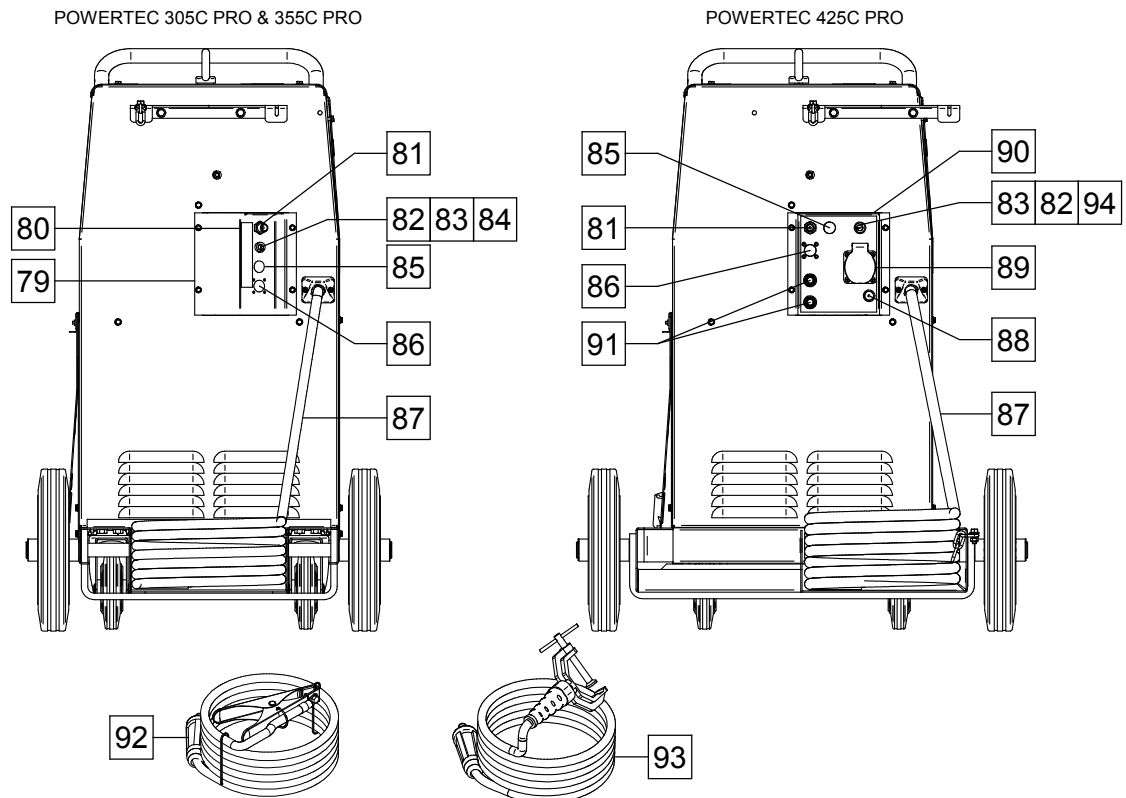


Figure C: Machine Assembly

Item	Description	Part Number	QTY	1	2	3	4	5	6	7
79	PANEL	R-1019-156-1/08R	1	●	●	-				
80	STICKER	R-0010-223-1R	1	●	●	-				
81	GAS CONNECTOR	D-1891-135-1R	1	●	●	●				
82	FUSE SOCKET	1158-632-032R	1	●	●	●				
83	FUSE CAP	1158-632-033R	1	●	●	●				
84	FUSE F1 3A	1158-660-006R	1	●	●	●				
85	HOLE PLUG	1119-510-005R	1	●	●	●				
86	HOLE PLUG	1361-599-058R	1	●	●	●				
87	POWER LEAD	D-5578-171-2R	1	●	●	-				
	POWER LEAD	D-5578-171-3R	1	-	-	●				
88	THERMAL FUSE	1115-299-027R	1	●	●	●				
89	SOCKET X16	1131-222-004R	1	-	-	●				
90	PANEL	R-1019-157-1/08R	1	-	-	●				
91	QUICK CONNECT COUPLING	0744-000-150R	1	-	-	●				
92	WORL LEAD	K14011-1	1	●	-	-				
93	WORL LEAD	K14018-1	1	-	●	●				

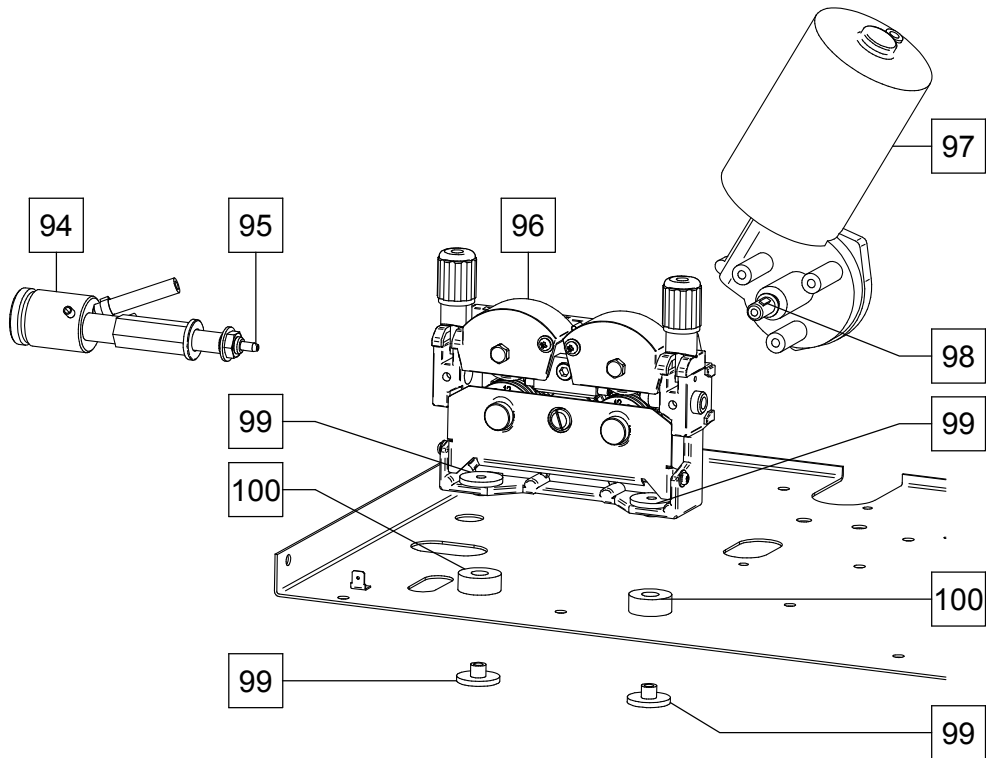


Figure D

Figure D: Machine Assembly

Item	Description	Part Number	QTY	1	2	3	4	5	6	7
94	EURO SOCKET X1	C-2985-006-1R	1	●	●	●				
95	OUTLET GUIDE	D-1829-066-4R	1	●	●	●				
96	WIRE FIDER COMPLETE	0744-000-241R	1	●	●	●				
97	MOTOR M2	1111-722-047R	1	●	●	●				
98	WOODROF KEY	0646-231-102R	1	●	●	●				
99	SLEEVE	1361-599-720R	4	●	●	●				
100	SLEEVE	D-1869-033-3R	2	●	●	●				

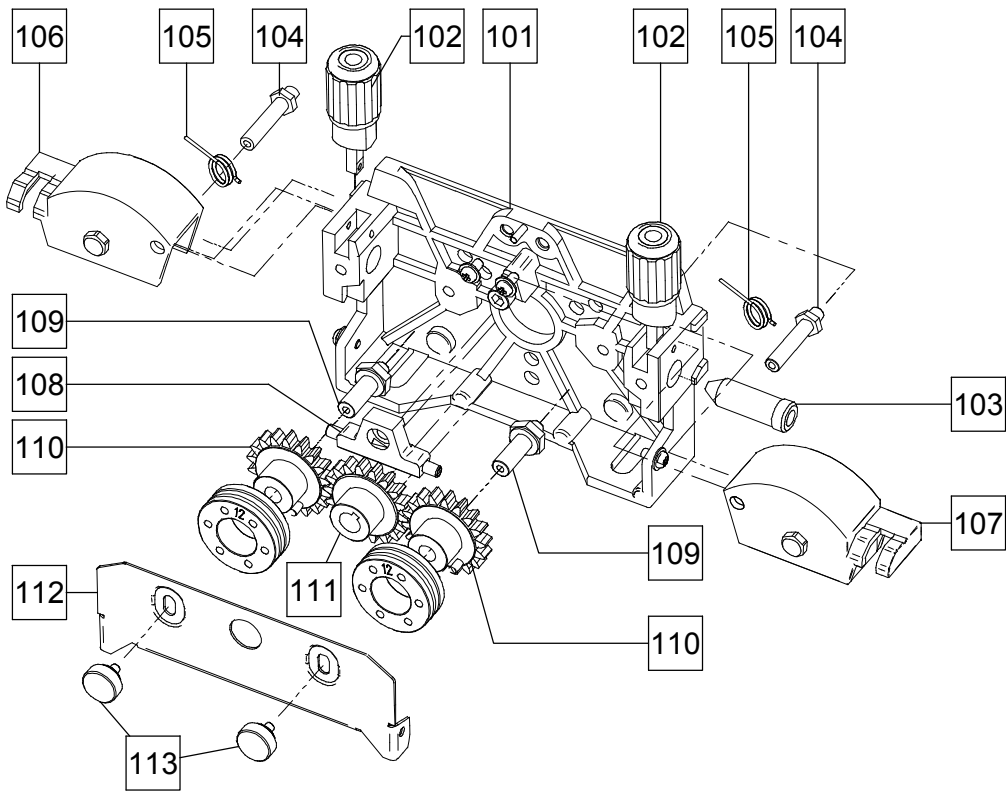


Figure E

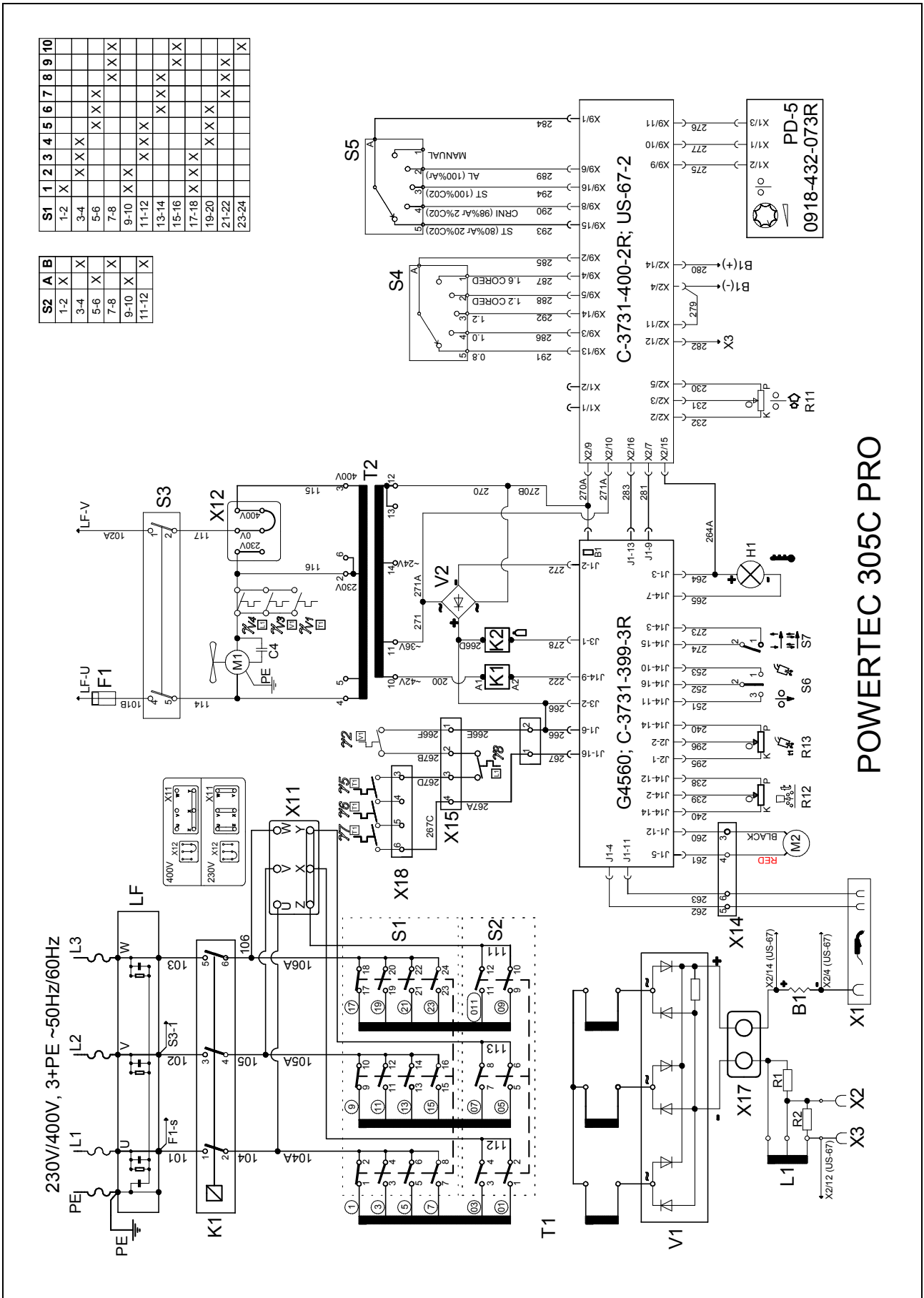
Figure E: Wire Drive Assembly

Item	Description	Part Number	QTY	1	2	3	4	5	6	7
	WIRE FIDER COMPLETE	0744-000-241R	1	•	•	•				
101	FEED PLATE	0646-233-002R	1	•	•	•				
102	FIXING ARM COMPL.	0646-233-015R	2	•	•	•				
103	INLET GUIDE	0646-233-025R	1	•	•	•				
104	AXIS PRESSURE ARM	0646-233-003R	2	•	•	•				
105	SPRING PRESSURE ARM	0646-233-013R	2	•	•	•				
106	LEFT PRESSURE ARM COMPLETE	0646-233-007R	1	•	•	•				
107	RIGHT PRESSURE ARM COMPLETE	0646-233-005R	1	•	•	•				
108	INTERMEDIATE GUIDE	0646-233-023R	1	•	•	•				
109	AXES OF DRIVE ROLL	0646-233-020R	2	•	•	•				
110	GEAR WHEELS ROOL	0646-231-090R	2	•	•	•				
111	GEAR WHEEL MOTOR	0646-233-028R	1	•	•	•				
112	COVER	0646-233-027R	1	•	•	•				
113	FIXING CAP	0646-233-022R	2	•	•	•				

Miscellaneous Items (not shown in figure A, B, C, D, E)

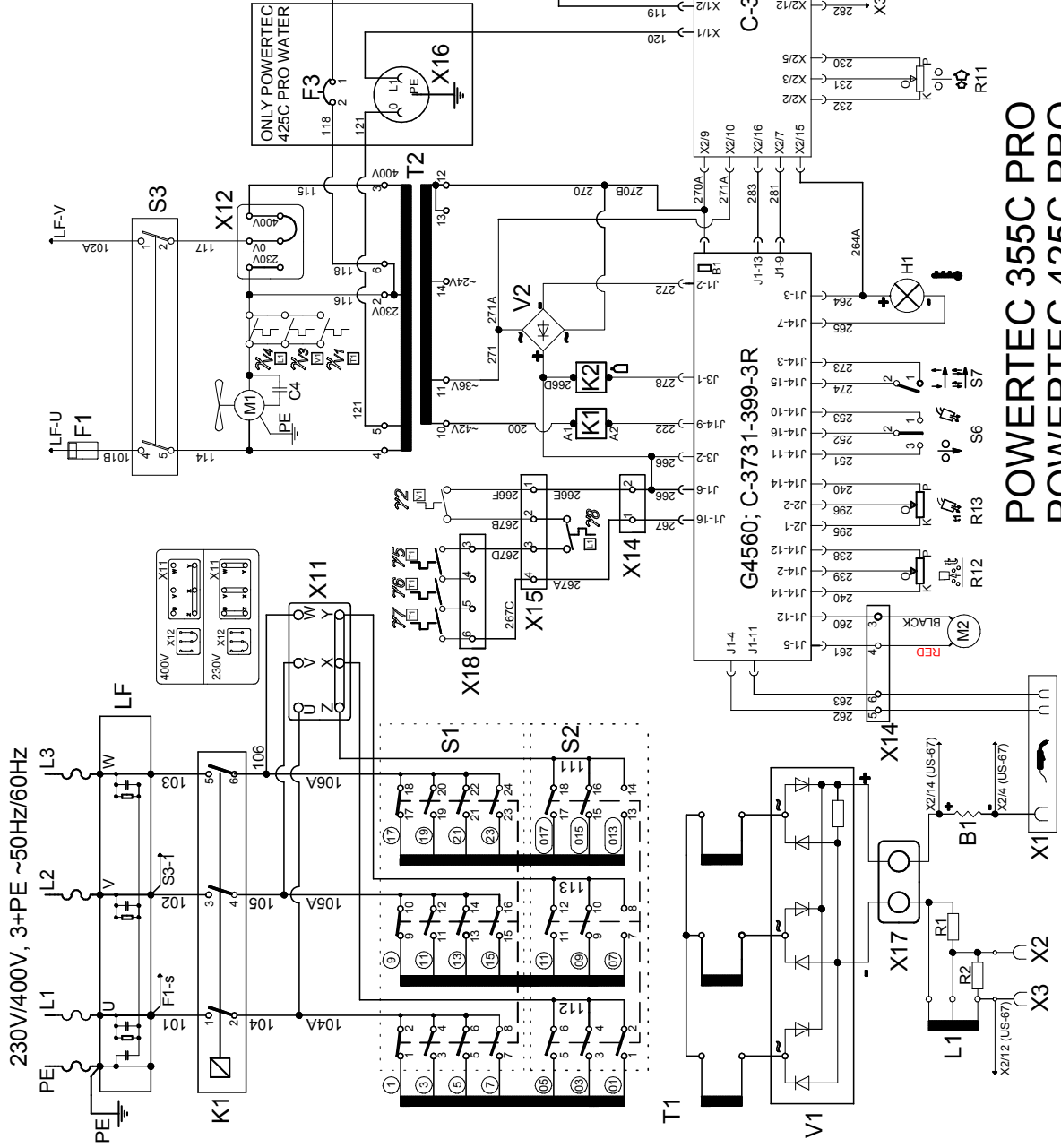
Item	Description	Part Number	QTY	1	2	3	4	5	6	7
114	WIRING HARNESS A (PRIMARY)	R-5041-142-1R	1	•	•	•				
115	WIRING HARNESS B (PRIMARY)	R-5041-143-1R	1	•	•	•				
116	WIRING HARNESS OF COOLER	R-5041-144-1R	1	-	-	•				
117	WIRING HARNESS (SECONDARY)	R-5041-146-1R	1	•	•	•				
118	WIRING OF SYNERGIC	R-5041-147-1R	1	•	•	•				
119	WIRING HARNESS (PROMARY)	R-5041-152-1R	1	•	•	-				
120	WIRING HARNESS (PROMARY)	R-5041-152-2R	1	-	-	•				
121	WIRING HARNESS (SECONDARY)	R-5041-153-1R	1	•	•	•				

Electrical Schematic

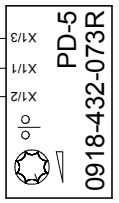


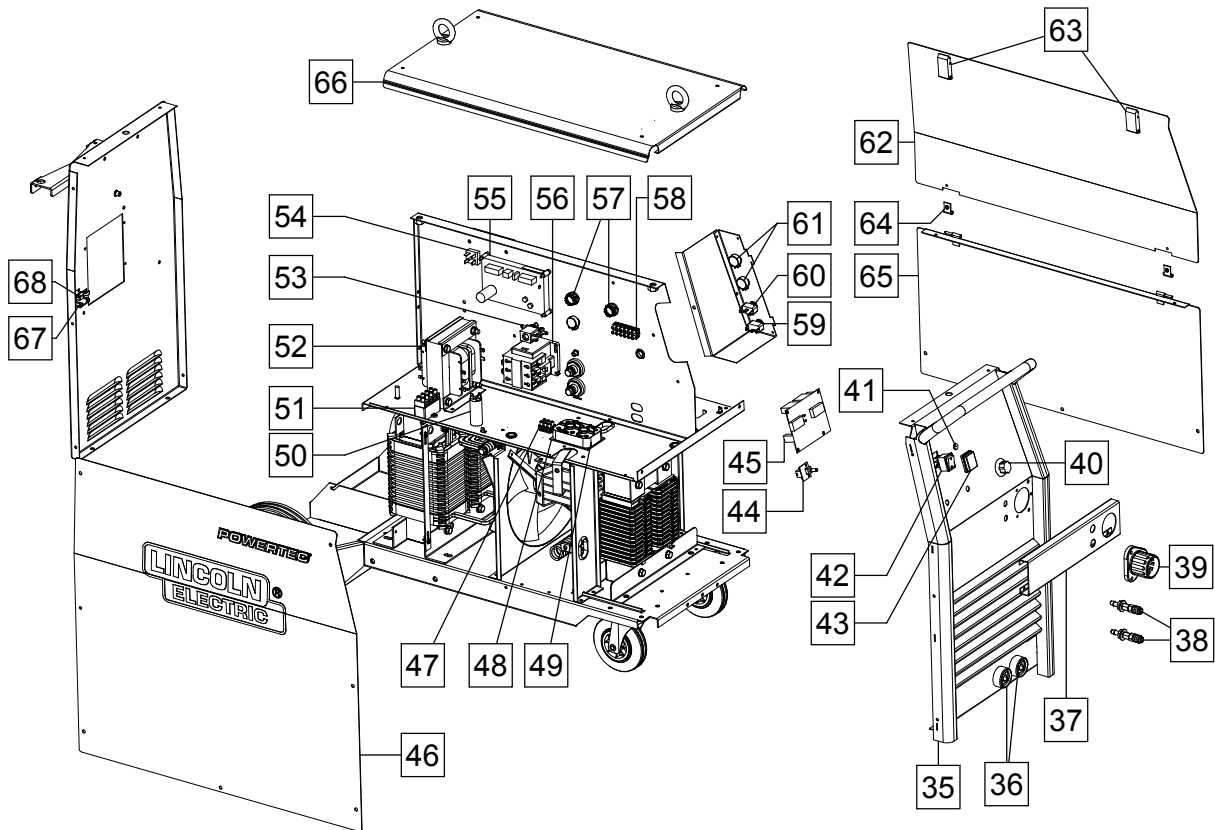
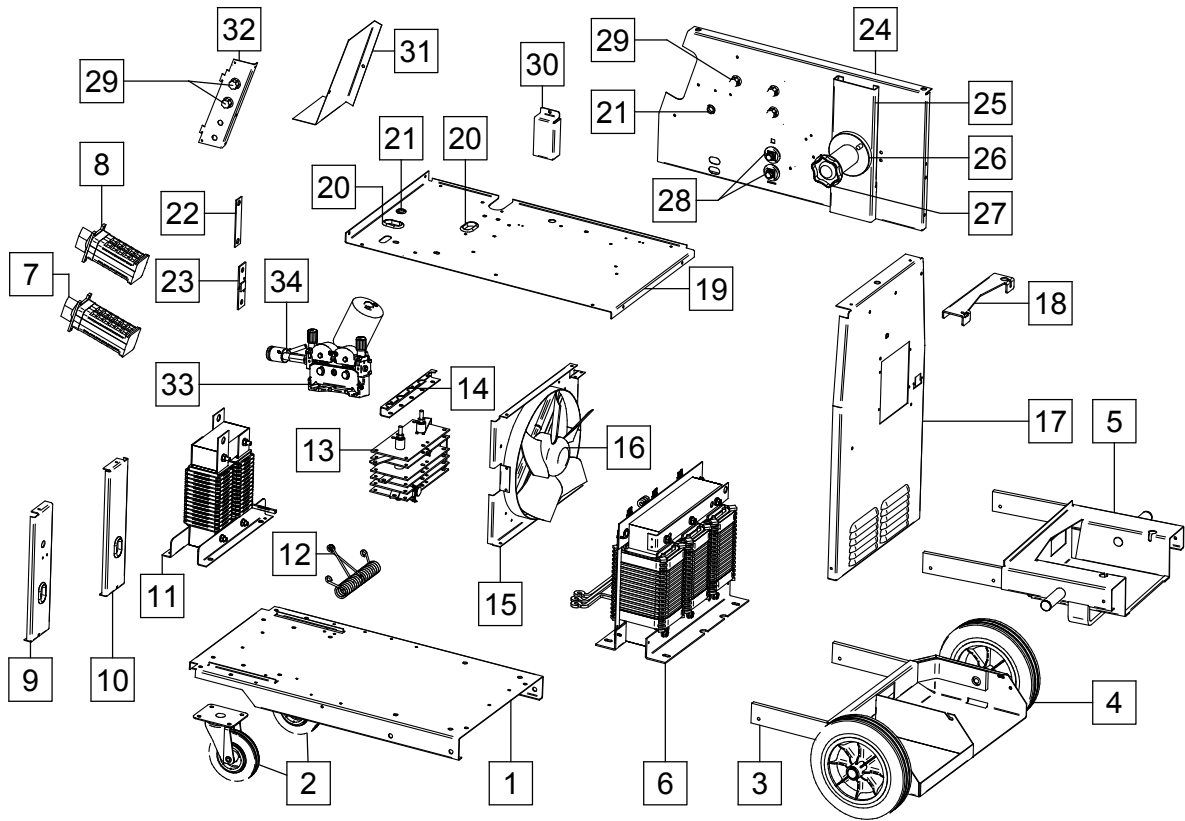
S1	1	2	3	4	5	6	7	8	9	10
1-2	X									
3-4	X	X	X							
5-6				X	X					
7-8						X	X			
9-10	X	X	X	X	X					
11-12						X	X			
13-14								X	X	
15-16									X	X
17-18										X
19-20									X	X
21-22									X	X
23-24									X	X

S2	A	B	C
1-2	X		
3-4	X	X	
5-6			X
7-8	X	X	
9-10	X	X	X
11-12			X
13-14	X	X	
15-16	X	X	
17-18			X

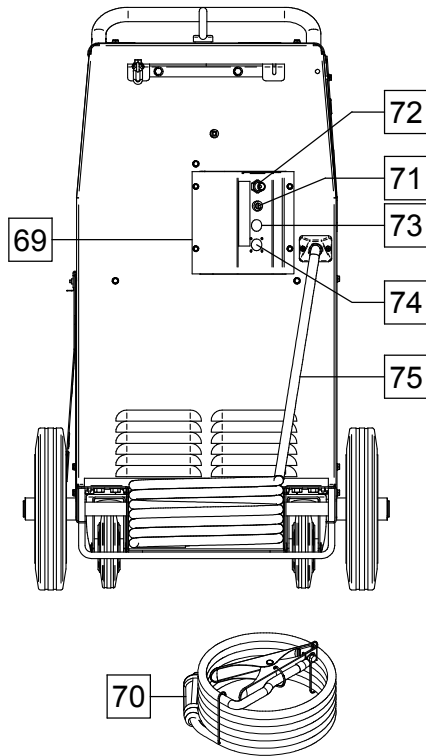


POWERTEC 355C PRO
POWERTEC 425C PRO

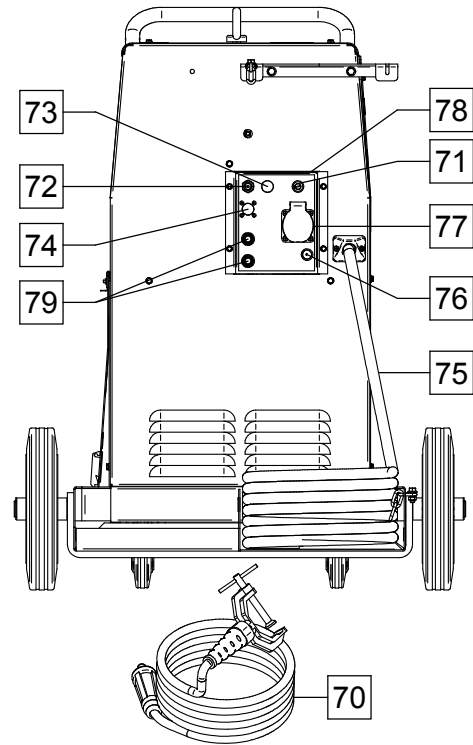




POWERTEC 305C PRO & 355C PRO



POWERTEC 425C PRO



Description	Ref.	Recycle				ST				
		Fe	Al	Cu	Brass	Boards	Plastics	Liquid Cristal	External Electric Cables	Capacitors
BASE	1	X								
WHEELS	2, 4		X				X			
BRACKET	9,10, 14, 18, 25	X								
SHELF	3, 5, 19	X								
LOCK	63						X			
SIDE PANEL	46, 62, 65	X								
TRANSFORMERS	6, 52	X	X	X			X			
CHOKE	11	X		X						
RESISTOR	12	X								
RECTIFIER	13, 54		X							
FAN	16		X	X			X			
PARTITION	15	X								
DIVIDER	24									
SHIELD	30, 31, 32	X								
COVER	37, 66	X								
HINGLES	64	X								
REAR PANEL	17	X								
FRONT PANEL	35	X								
PANEL	69, 78	X								
P.C. BOARDS	44, 45, 55					X				
WIRE REEL SPINDLE	26	X					X			
NUT	27						X			
SOCKETS	28, 36, 77, 71				X		X			
EURO SOCKET	34				X					
EURO SLEEVE	39						X			
PLATE	49						X			

FILTER	51						X			
SWITCHES	7, 8, 42, 57, 59, 60, 61	X			X					
CONTACTOR	56	X			X		X			
BLACK FLAME SHIELD	43						X			
KNOBS	29, 40						X			
GAS SOLENOID	53	X		X	X					
WIRE FEEDER	33	X		X			X			
TERMINAL BLOCK	47, 48, 58				X		X			
POWER LEAD	75			X	X		X			
WORK LEAD	80						X			
HOLE PLUG	73, 74						X			
RUBBER CABLE BUSH	20, 21						X			
CABLE RELIEF	67, 68						X			
CONDUCTOR RAIL	22, 23				X					
LAMP	41			X			X			
QUICK CONNECT COUPLING	38, 79				X					
GAS CONNECTOR	72				X					
CAPACITOR	50									X
THERMAL FUSE	76	X			X		X			