

POWERTEC 161C, 191C, 231C & 271C

Spare Parts	1
Figure A: Machine Assembly.....	3
Figure B: Machine Assembly.....	6
Figure C: Wire Drive Assembly	8
Miscellaneous Items (not shown in figure A, B, C, D).....	8
Electrical Schematic.....	9
CODE: 50252	9
CODE: 50246	9
CODE: 50247, 50248	10
WEEE	11



Spare Parts

SP50218/50219/50217 REV03
07/03

ASSEMBLY PAGE NAME			Machine Assembly	Machine Assembly	Wire Drive Assembly	Miscellaneous items		
CODE NO.:	K NO.:	FIGURE NO.:	A	-	C	-		
50252	K14040-2	POWERTEC 161C	1	1	1	1		
50246	K14045-1	POWERTEC 191C		2	2	2		
50246	K14045-2	POWERTEC 191C A/V230V1PH		2	2	2		
50247	K14046-1	POWERTEC 231C		3	3	3		
50248	K14047-1	POWERTEC 271C		4	4	4		
50248	K14047-2	POWERTEC 271C A/V230V1PH		4	4	4		

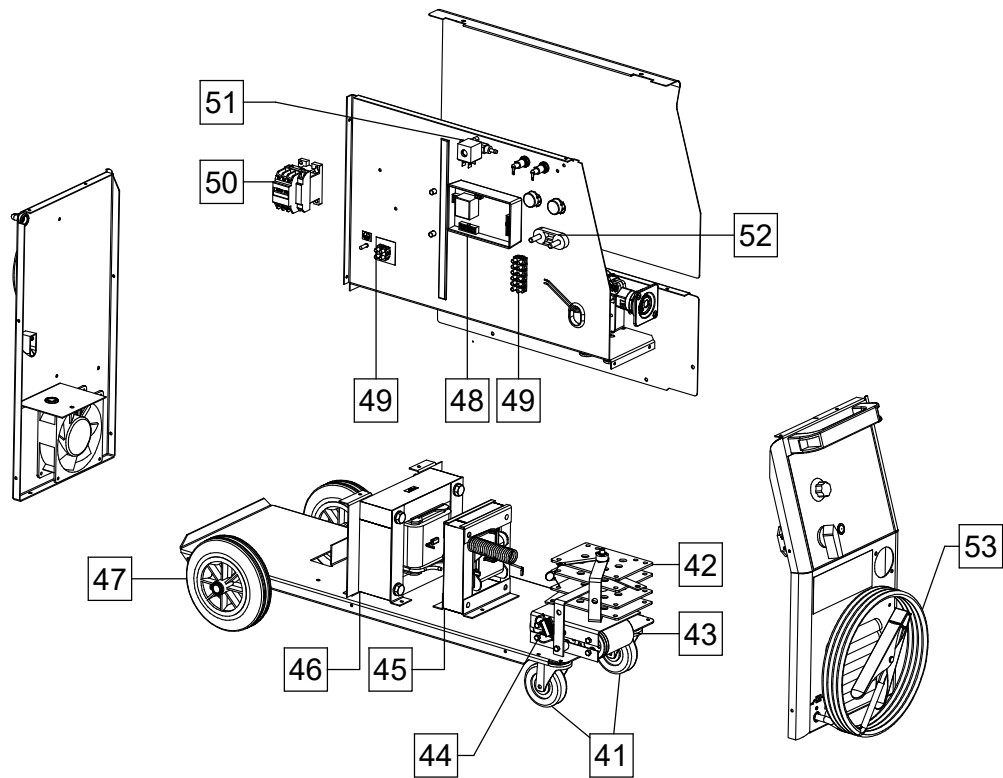
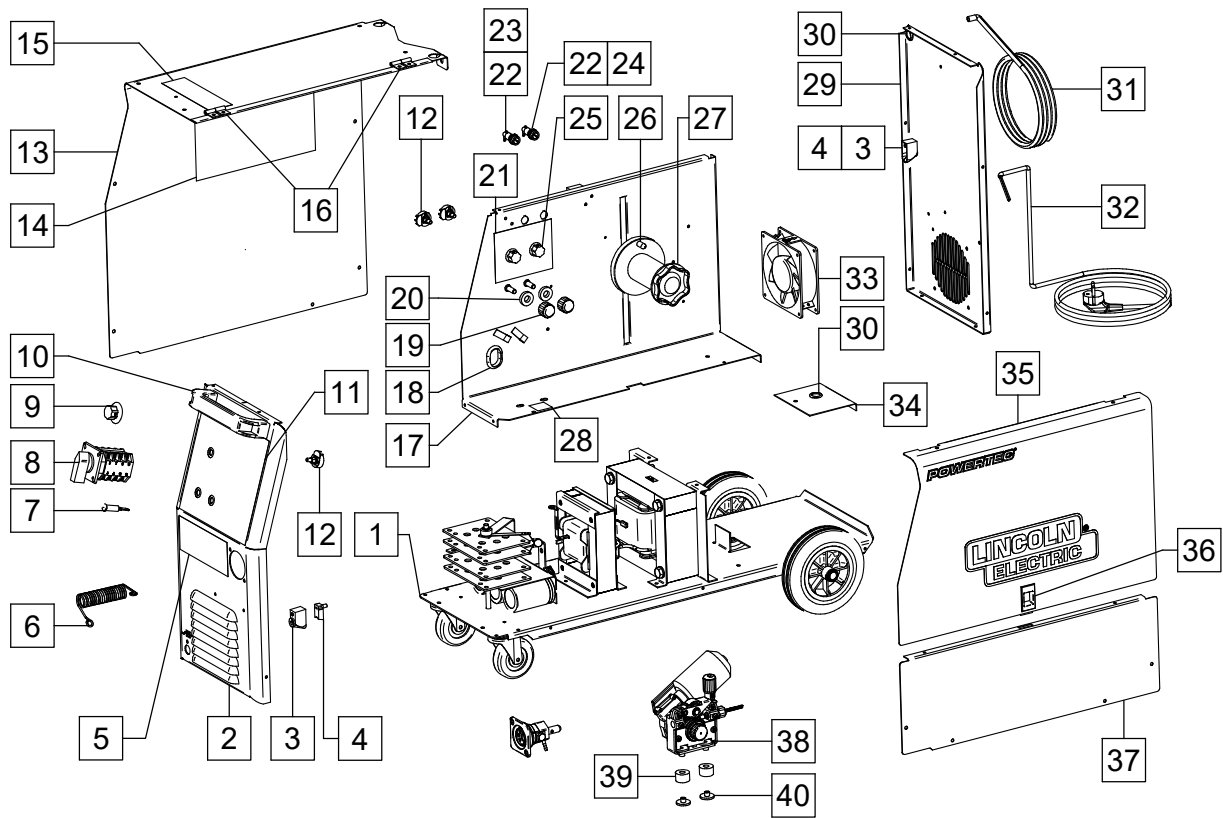


Figure A

Figure A: Machine Assembly

Item	Description	Part Number	QTY	1	2	3	4	5	6	7
1	BASE	R-3019-098-1/08R	1	X						
2	FRONT PANEL	R-3019-101-2/08R	1	X						
3	CABLE BUSH	1361-599-399R	2	X						
4	CABLE CLAMP	1361-599-398R	2	X						
5	STICKER	2719-107-156R	1	X						
6	RESISTOR	1158-112-014R	1	X						
7	LAMP H1	0917-421-024R	1	X						
8	SWITCH K3	1115-260-006 R	1	X						
9	KNOB	9ET10491R	1	X						
10	HANDLE	1361-598-186R	1	X						
11	STICKER	2719-107-542R	1	X						
12	POTENCIOMETER	1158-113-304R	3	X						
13	COVER	R-1019-237-1R	1	X						
14	STICKER	2719-107-120R	1	X						
15	STICKER	2719-107-728R	1	X						
16	HINGLE	D-3574-007-1/33R	2	X						
17	DIVIDER	R-3019-100-1/08R	1	X						
18	RUBBER CABLE BUSH	1373-111-331R	1	X						
19	KNOB	D-2846-026-1R	2	X						
20	INSULATING RING	1361-599-670R	2	X						
21	STICKER	2719-107-563R	1	X						
22	FUSE SOCKET	1158-632-009R	2	X						
23	FUSE F1	1158-660-022R	1	X						
24	FUSE F2	1158-660-037R	1	X						
25	KNOB	9ET13639-3R	2	X						
26	REEL HUB STANDARD	0744-000-192R	1	X						
27	PLASIC NUT	B11035-1	1	X						
28	STICKER	2719-107-732R	1	X						
29	REAR PANEL	R-1012-188-1/08R	1	X						
30	RUBBER BUSH	1373-182-002R	2	X						
31	GAS HOSE	1361-410-005R	2m	X						
32	INPUT CABLE	1125-123-015R	1	X						
33	FAN	0873-100-032R	1	X						
34	SHIELD	R-1019-111-1/08R	1	X						
35	RIGHT SIDE PANEL	R-1019-238-1R	1	X						
36	LOCK	0654-610-004R	1	X						
37	RIGHT SIDE LOWER PANEL	R-1012-193-1/02R	1	X						
38	SLEEVE	1361-599-564R	2	X						
39	SLEEVE	1361-599-565R	2	X						
40	SLEEVE	1361-599-720R	2	X						
41	FRONT WHEELS	1029-660-004R	2	X						
42	RECTIFIER V1	1156-112-015R	1	X						
43	CAPACITOR	1158-125-332R	3	X						
44	RESISTOR	1158-112-015R	1	X						
45	CHOKE L1	R-4034-049-1R	1	X						
46	TRANSFORMER T1	R-4034-052-1R	1	X						
47	REAR WHEELS	1029-660-007R	1	X						

48	P.C. BOARD	R-6042-024-1R	1	X						
49	TERMINAL BLOCK	1131-990-005R	8	X						
50	CONTACTOR K1	1115-212-213R	1	X						
51	GAS SOLENOID	0972-423-004R	1	X						
52	TERMINAL BLOCK X4	1361-599-328R	1	X						
53	WORK CABLE	R-5041-091-1R	1	X						
54	STICKER (NOT SHOWN)	R-7040-228-3R	1	X						

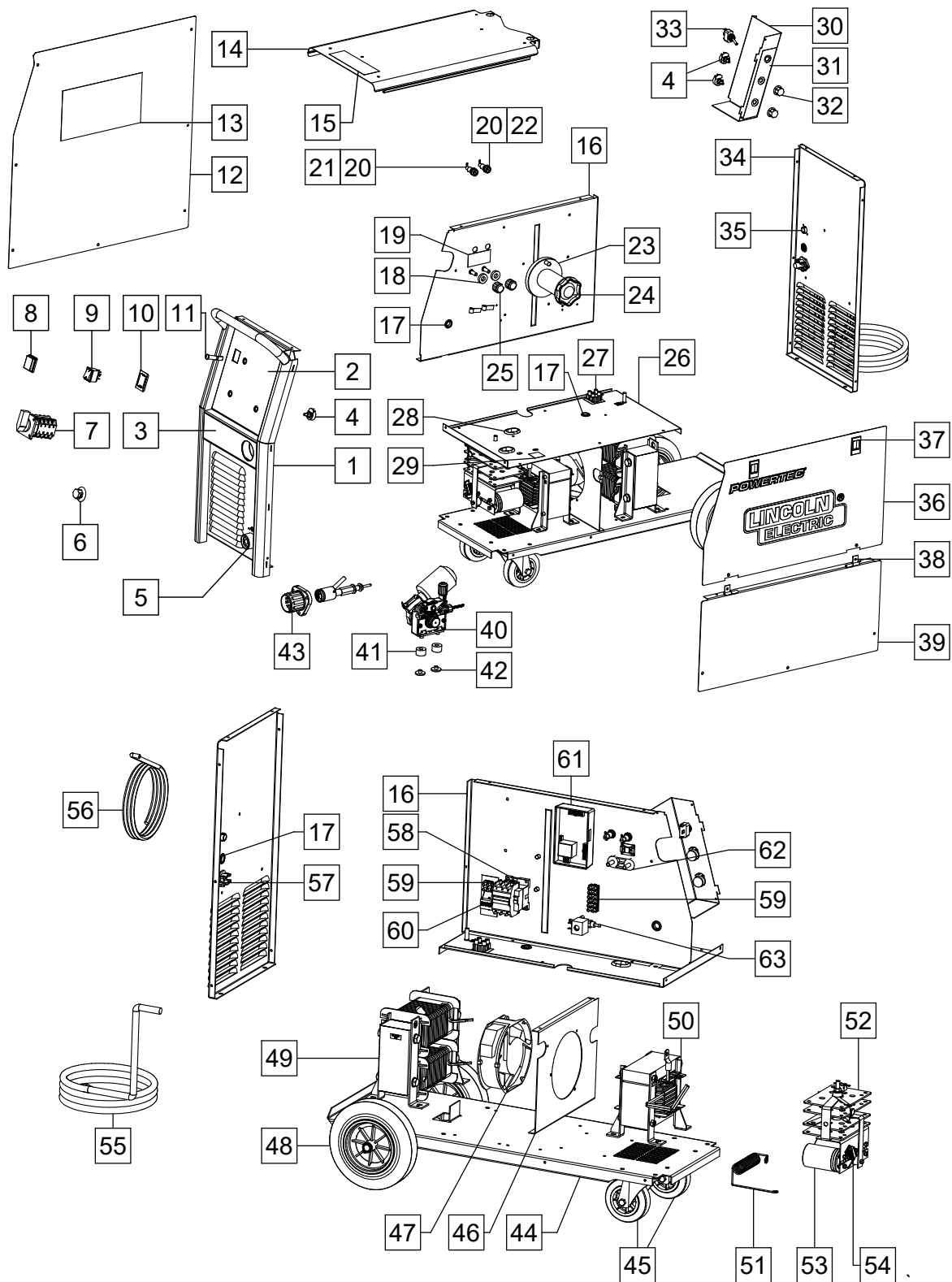


Figure B

Figure B: Machine Assembly

Item	Description	Part Number	QTY	1	2	3	4	5	6	7
1	FRONT PANEL	R-3019-120-1/08R	1	-	X	X	X			
2	STICKER	2719-107-154R	1	-	X	-	-			
2	STICKER	2719-107-543R	1	-	-	X	X			
3	STICKER	2719-107-155R	1	-	X	-	-			
3	STICKER	2719-107-074R	1	-	-	X	-			
3	STICKER	2719-107-095R	1	-	-	-	X			
4	POTENCIOMETER	1158-113-304R	3	-	X	X	X			
5	SOCKET	C-2986-001-2R	1	-	X	X	X			
6	KNOB	9ET10491R	1	-	X	X	X			
7	SWITCH	1115-260-215R	1	-	X	-	-			
7	SWITCH	1115-260-214R	1	-	-	X	X			
8	RUBBER SHIELD	1115-299-073R	1	-	X	X	X			
9	SWITCH S1	1115-270-005R	1	-	X	X	X			
10	INTERLOCK	D-2722-029-1R	1	-	X	X	X			
11	LAMP H1	0917-421-024R	1	-	X	X	X			
12	LEFT SIDE PANEL	R-1019-189-1R	1	-	X	X	X			
13	STICKER	2719-107-052R	1	-	X	-	-			
13	STICKER	2719-107-203R	1	-	-	X	X			
14	COVER	R-3019-130-1/02R	1	-	X	X	X			
15	STICKER	2719-107-728R	1	-	X	X	X			
16	DIVIDER	R-1012-207-1/08R	1	-	X	X	X			
17	RUBBER BUSH	1373-182-002R	3	-	X	X	X			
18	INSULATING RING	1361-599-670R	2	-	X	X	X			
19	STICKER	R-7040-156-2R	1	-	X	X	X			
20	FUSE SOCKET	1158-632-009R	2	-	X	X	X			
21	FUSE F1	1158-660-022R	1	-	X	X	X			
22	FUSE F2	1158-660-037R	1	-	X	X	X			
23	REEL HUB STANDARD	0744-000-192R	1	-	X	X	X			
24	PLASIC NUT	B11035-1	1	-	X	X	X			
25	KNOB	D-2846-026-1R	2	-	X	X	X			
26	SHELF	R-3019-123-1/08R	1	-	X	X	X			
27	TERMINAL BLOCK X1	1131-990-011R	2	-	X	X	X			
28	RUBBER CABLE BUSH	1373-111-331R	2	-	X	X	X			
29	STICKER	2719-107-732R	1	-	X	X	X			
30	SHIELD	R-1019-129-1/08	1	-	X	X	X			
31	STICKER	2719-107-561R	1	-	X	X	X			
32	KNOB	9ET13639-3R	2	-	X	X	X			
33	SWITCH	1115-280-005R	1	-	X	X	X			
34	REAR PANEL	R-1012-202-2/08R	1	-	X	X	X			
35	HOLE PLUG	1361-599-058R	1	-	X	X	X			
36	RIGHT SIDE PANEL	R-1019-190-1R	1	-	X	X	X			
37	LOCKS	0654-610-004R	2	-	X	X	X			
38	HINGLE	D-3574-007-1/33R	2	-	X	X	X			
39	RIGHT SIDE LOWER PANEL	R-3019-122-1/02R	1	-	X	X	X			
40	SLEEVE	1361-599-564R	2	-	X	X	X			
41	SLEEVE	1361-599-565R	2	-	X	X	X			
42	SLEEVE	1361-599-720R	2	-	X	X	X			

43	EURO SLEEVE	1361-599-708R	1	-	X	X	X			
44	BASE	R-3019-121-1/08R	1	-	X	X	X			
45	FRONT WHEELS	1029-660-101R	2	-	X	X	X			
46	FAN'S BAFFLE	R-1012-208-1/08R	1	-	X	X	X			
47	FAN	0873-100-031R	1	-	X	X	X			
48	REAR WHEELS	1029-660-201R	2	-	X	X	X			
49	TRANSFORMER	R-4034-061-2R	1	-	X	-	-			
49	TRANSFORMER	R-4034-070-2R	1	-	-	X	-			
49	TRANSFORMER	R-4034-062-2R	1	-	-	-	X			
50	CHOKE L1	R-4034-067-1R	1	-	X	X	X			
51	RESISTOR	1158-112-016R	1	-	X	X	X			
52	RECTIFIER V1	1156-112-205R	1	-	X	-	-			
52	RECTIFIER V1	1156-112-018R	1	-	-	X	-			
52	RECTIFIER V1	R-0010-121-3R	1	-	-	-	X			
53	CAPACITOR	1158-125-331R	3	-	X	X	X			
54	RESISTOR	1158-112-015R	1	-	X	X	X			
55	INPUT CABLE	R-5041-106-1R	1	-	X	X	X			
56	GAS HOSE	1361-410-005R	2m	-	X	X	X			
57	CABLE BOX	1361-599-674R	1	-	X	X	X			
58	CONTACTOR K1	1115-212-211R	1	-	X	-	-			
58	CONTACTOR K1	1115-212-223R	1	-	-	X	X			
59	TERMINAL BLOCK	1131-990-005R	8	-	X	X	X			
60	CAPACITOR C2	1158-121-201R	1	-	X	X	X			
61	P.C. BOARD	R-6042-024-1R	1	-	X	X	X			
62	TERMINAL BLOCK X4	1361-599-328R	1	-	X	X	X			
63	GAS SOLENOID	0972-423-004R	1	-	X	X	X			
64	STICKER (NOT SHOWN)	R-7040-228-3R	1	-	X	X	X			

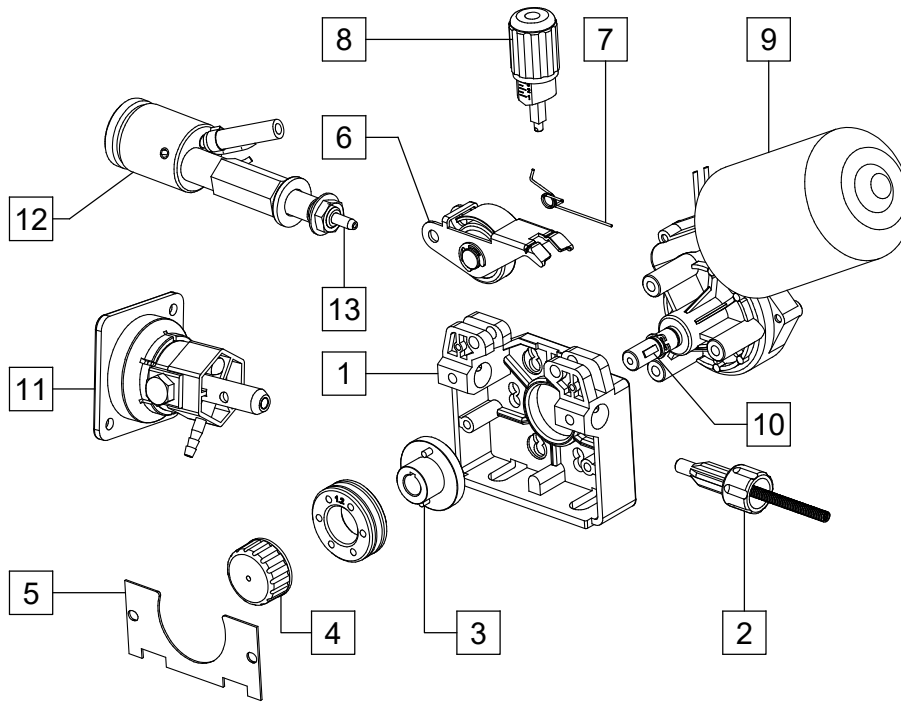


Figure C

Figure C: Wire Drive Assembly

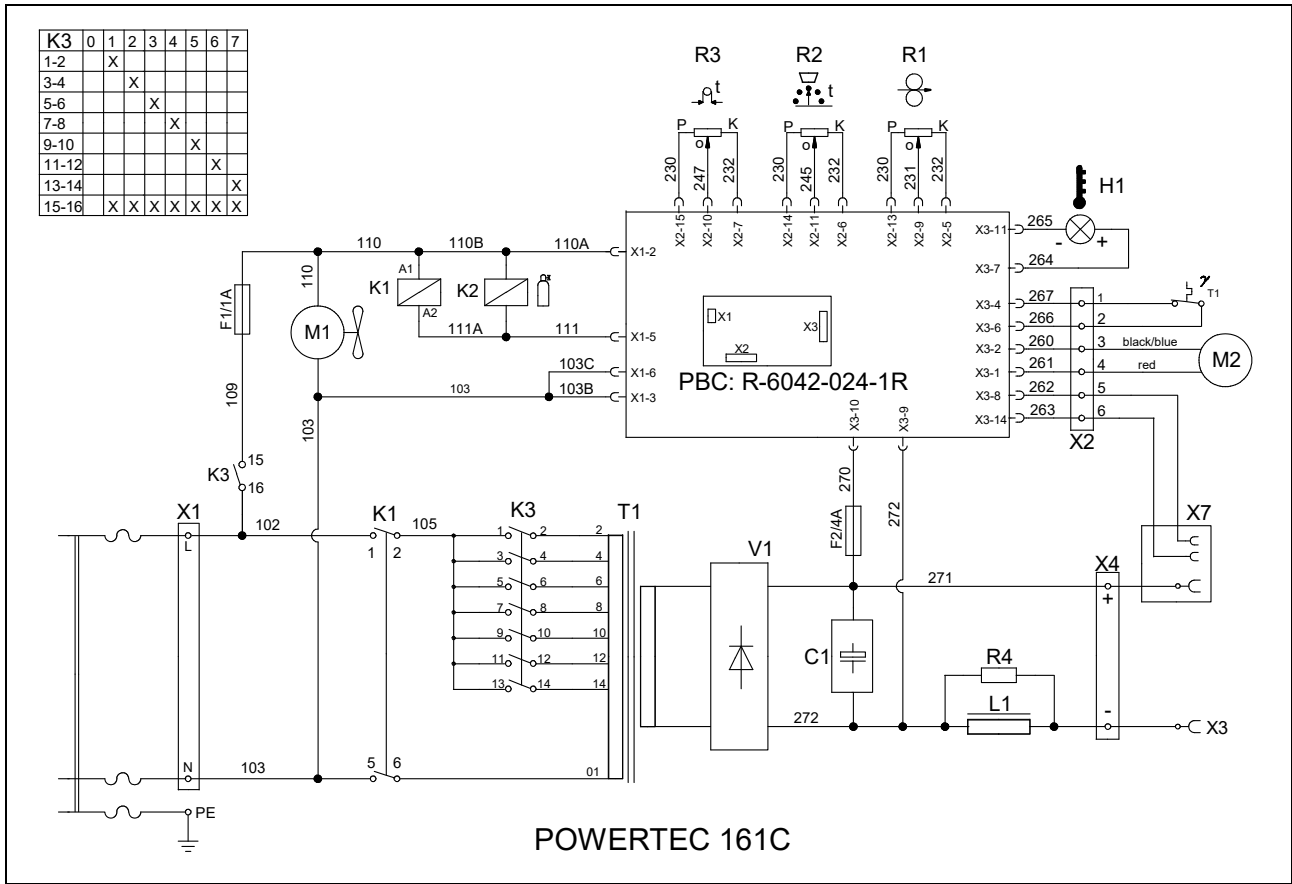
Item	Description	Part Number	QTY	1	2	3	4	5	6	7
	WIRE DRIVE ASSEMBLY	0744-000-160R	1	X	X	X	X			
1	FEED PLATE	0744-000-219R	1	X	X	X	X			
2	INLET GUIDE	0744-000-224R	1	X	X	X	X			
3	ADAPTER	0744-000-227R	1	X	X	X	X			
4	FIXING CAP	0744-000-216R	1	X	X	X	X			
5	METAL COVER	0744-000-218R	1	X	X	X	X			
6	PRESSURE ARM COMPL.	0744-000-221R	1	X	X	X	X			
7	SPRING PRESSURE ARM	0744-000-220R	1	X	X	X	X			
8	FIXING ARM COMPL.	0744-000-223R	1	X	X	X	X			
9	MOTOR	0744-000-229R	1	X	X	X	X			
10	WOODROF KEY	0646-231-102R	1	X	X	X	X			
11	EURO SOCKET	0646-233-056R	1	X	-	-	-			
12	EURO SOCKET	R-8040-042-3R	1	-	X	X	X			
13	OUTLET GUIDE	R-2010-006-1R	1	-	X	X	X			

Miscellaneous Items (not shown in figure A, B, C, D)

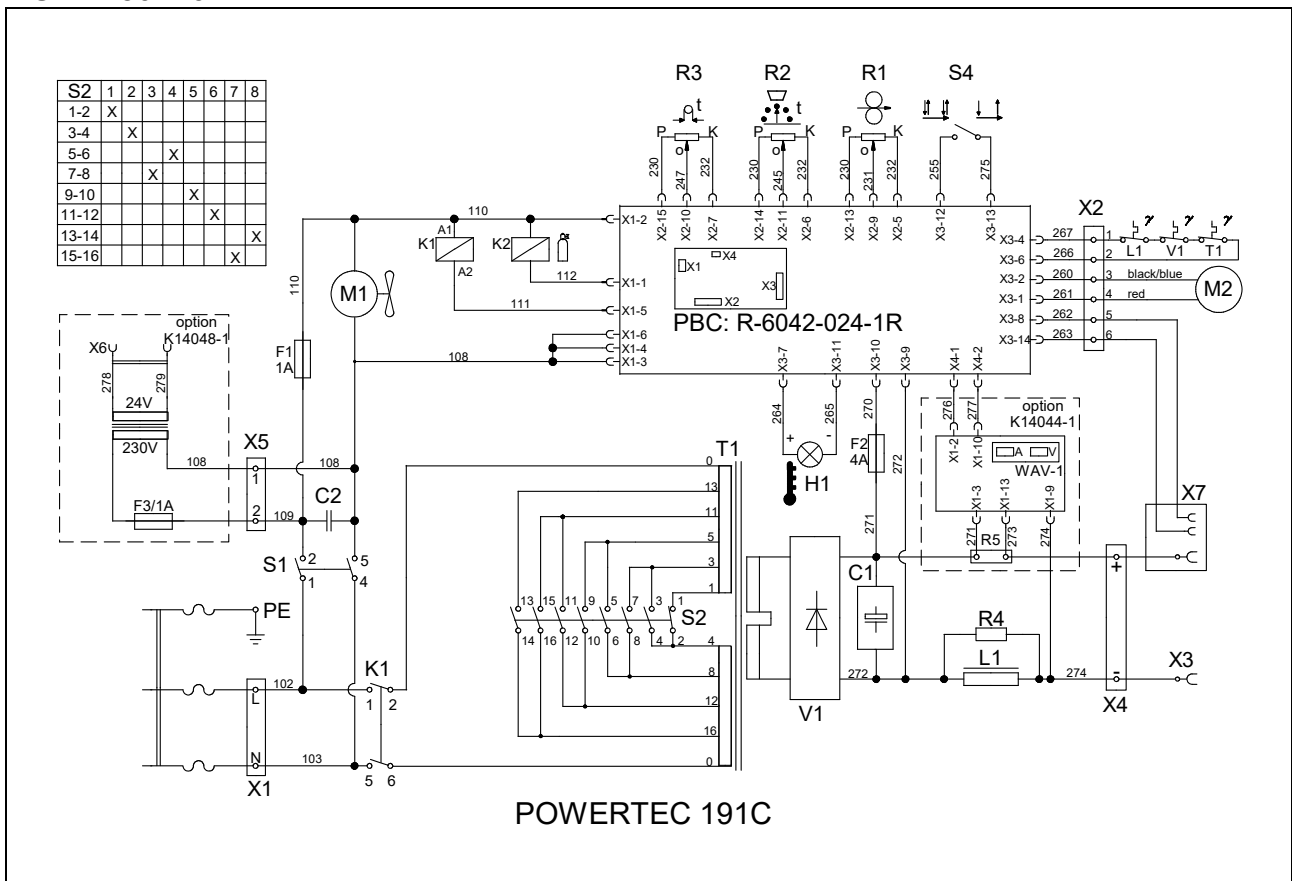
Item	Description	Part Number	QTY	1	2	3	4	5	6	7
1	WIRING HARNESS	R-7040-212-1R	1	X	-	-	-			
2	WIRING HARNESS	R-7040-213-2R	1	X	-	-	-			
3	WIRING HARNESS	R-5041-102-2R	1	-	X	X	X			
4	WIRING HARNESS	R-5041-103-2R	1	-	X	X	X			

Electrical Schematic

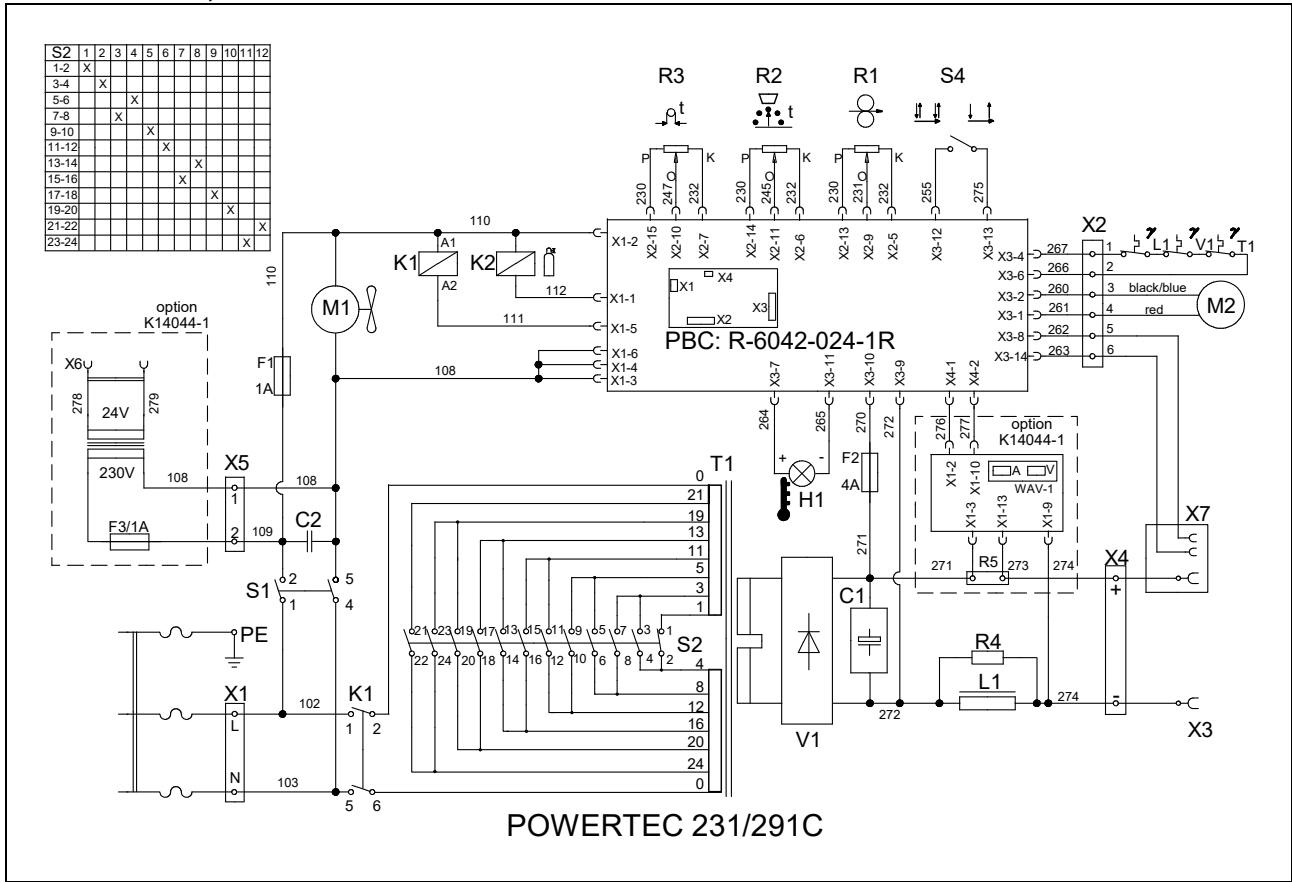
CODE: 50252



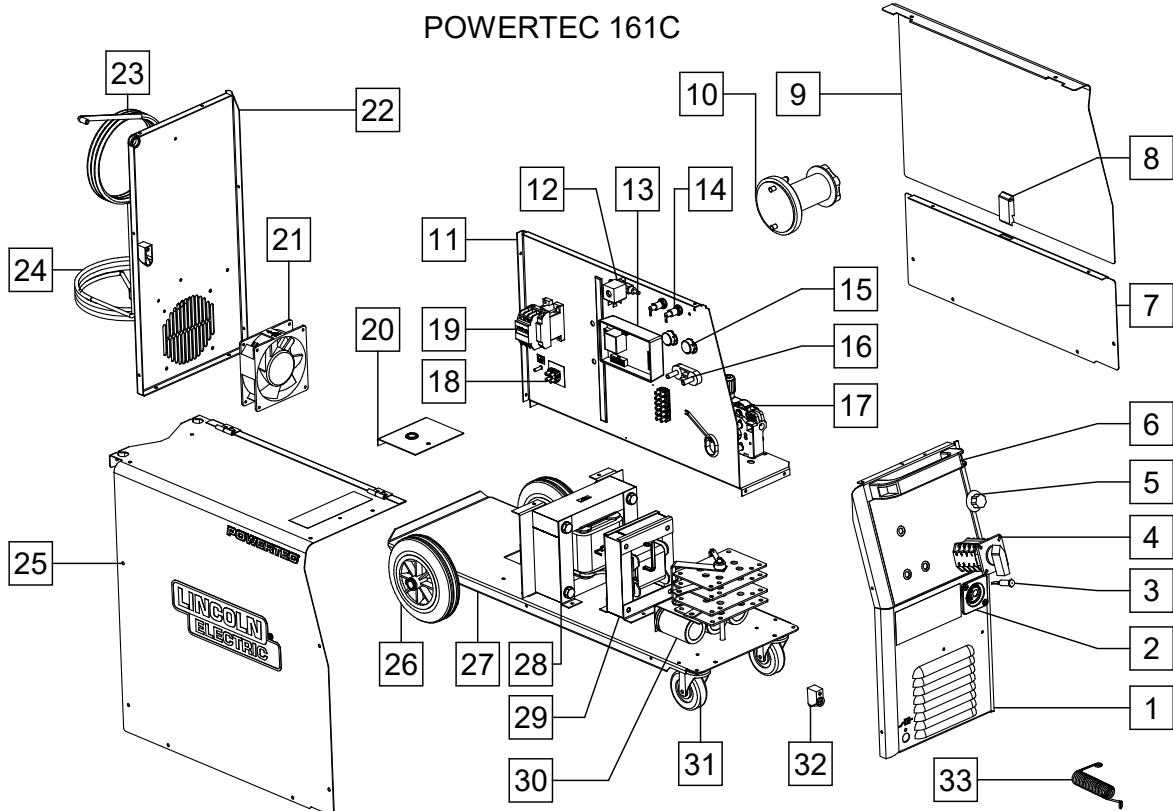
CODE: 50246



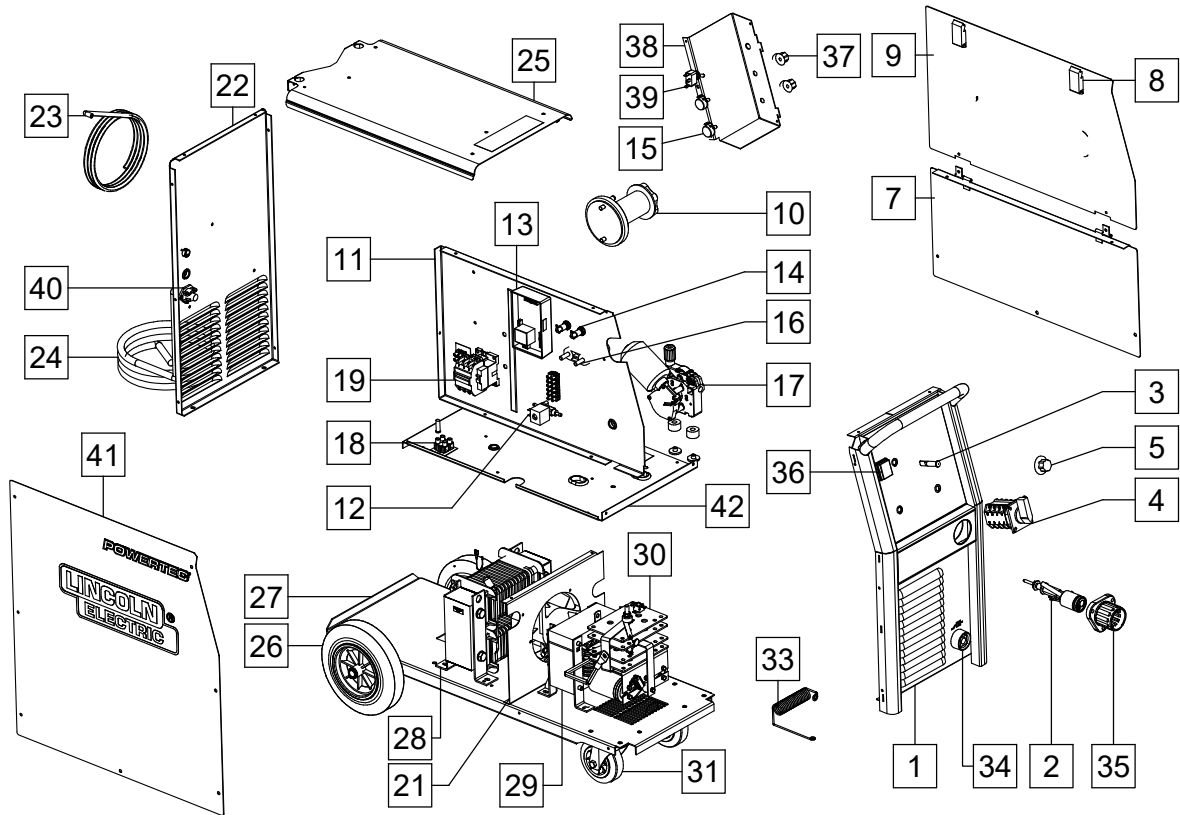
CODE: 50247, 50248



POWERTEC 161C



POWERTEC 191, 231, 271C



	Ref.	Recycle				ST				
		Fe	Al	Cu	Brass	Boards	Plastics	Liquid Cristal	External Electric Cables	Capacitors
FRONT PANEL	1	X								
EURO SOCKET	2	X		X						
LAMP	3						X			
SWITCHES	4, 36, 38	X					X			
HANDLE	6	X					X			
DIVIDER	11	X								
RIGHT SIDE PANEL	7, 9	X								
LOCK	8						X			
COVER	25	X								
GAS SOLENOID	12			X	X		X			
P.C. BOARD	13					X				
FUSE SOCKET	14			X			X			
POTENCIOMETERS	15	X		X			X			
TERMINAL BLOCK	16, 18	X		X			X			
WIRE FEEDER COMPL.	17	X	X	X			X			
CONTACTOR	19	X		X	X		X			
SHIELD	20, 38	X								
FAN	21	X					X			
REAR PANEL	22	X								
GAS HOSE	23						X			
INPUT CABLE	24								X	
WHEELS	26, 31	X					X			
BASE	27	X								
TRANSFORMER	28	X		X			X			
KNOBS	5, 37						X			
RECTIFIER	30	X		X			X			X
CABLE BUSH	32, 40						X			
RESISTOR	33	X								
SOCKET	34	X			X		X			
EURO SLEEVE	35						X			
LEFT SIDE PANEL	41	X								
SHELF	42	X								