

HANDY MIG / HANDY CORE

Spare Parts	1
Figure A: Machine Assembly	1
Electrical Schematic	3
CODE: 50000, 50001	3



Spare Parts

SP50000 / SP50001 REV01
12/05

ASSEMBLY PAGE NAME			Machine Assembly						
CODE NO.:	K NO.:	FIGURE NO.:	A						
50000	K14000-1	HANDY MIG	1						
50001	K14001-1	HANDY CORE	2						

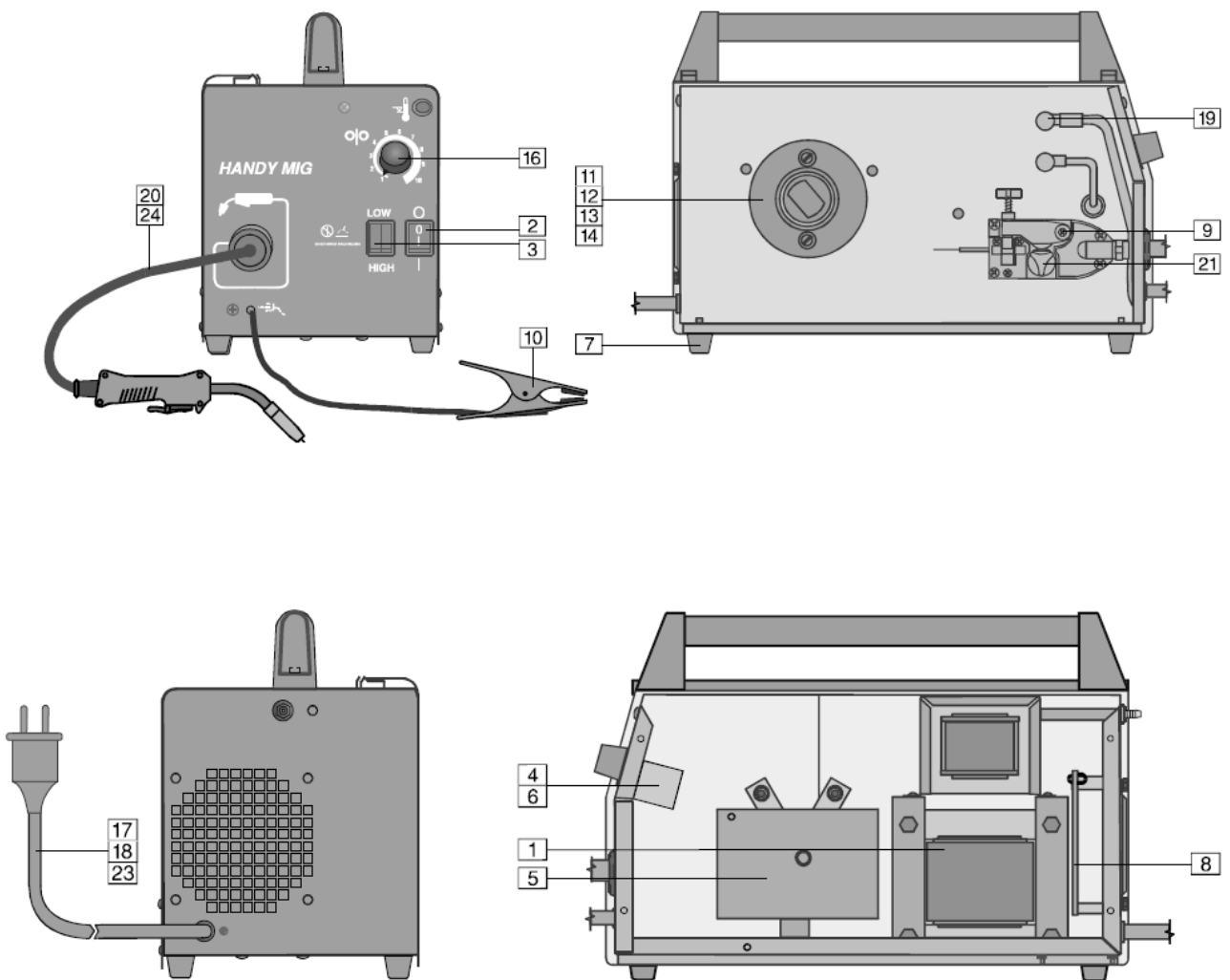


Figure A

Figure A: Machine Assembly

Item	Description	Part Number	QTY	1	2	3	4	5	6	7
1	POWER SET	D-4639-045-1R	1	X	X					
2	MAIN SWITCH	W4.1.8	2	X	X					
3	HEAT RANGE SWITCH	W2.1.3	1	X	X					
4	CONTACTOR	LS-07.01	2	X	X					
5	RECTIFIER SET	PMS 28	1	X	X					
6	CONTROL P.C. BOARD US-66	0918-432-080R	1	X	X					
7	FOOT	1373-184-009R	4	X	X					

8	FAN	0873-100-093R	1	X	X					
9	FEEDING UNIT	M.99	1	X	X					
10	WELDING CABLE WITH CLAMP	C-5578-026-6R	1	X	X					
11	SPINDLE	1361-599-326R	1	X	X					
12	SPOOL SPACER	1361-599-327R	1	X	X					
13	SPOOL LOCK	1361-599-325R	1	X	X					
14	SPRING	D-2569-017-1	1	X	X					
15	WIRE FEED SPEED KNOB	1158-910-043R	1	X	X					
16	POWER INPUT CABLE	D-5578-165-1R	1	X	X					
17	POLARITY THUMBSCREW	D-2846-026-1	1	X	-					
18	TORCH	RV13/1 2,5 m	2	X	-					
19	ROLL	V0.6/VK0.9	1	X	-					
20	TORCH	RC13 2,5 m	1	-	X					
21	ROLL	VK0.9/VK 0.9	1	-	X					

Electrical Schematic

CODE: 50000, 50001

