

# INVERTEC® 160SX

---

Spare Parts .....	1
Figure A: Machine Assembly 160SX.....	2
Electrical Schematic .....	3
Code: 52101,52119.....	3



# Spare Parts

SP52101/52119 rev03  
07/03

ASSEMBLY PAGE NAME			Machine Assembly					
<b>CODE NO.:</b>	<b>K NO.:</b>	<b>FIGURE NO.:</b>	<b>A</b>					
52101	K12050-1	INVERTEC® 160SX CE	1					
52119	K12050-2	INVERTEC® 160SX AUS	2					

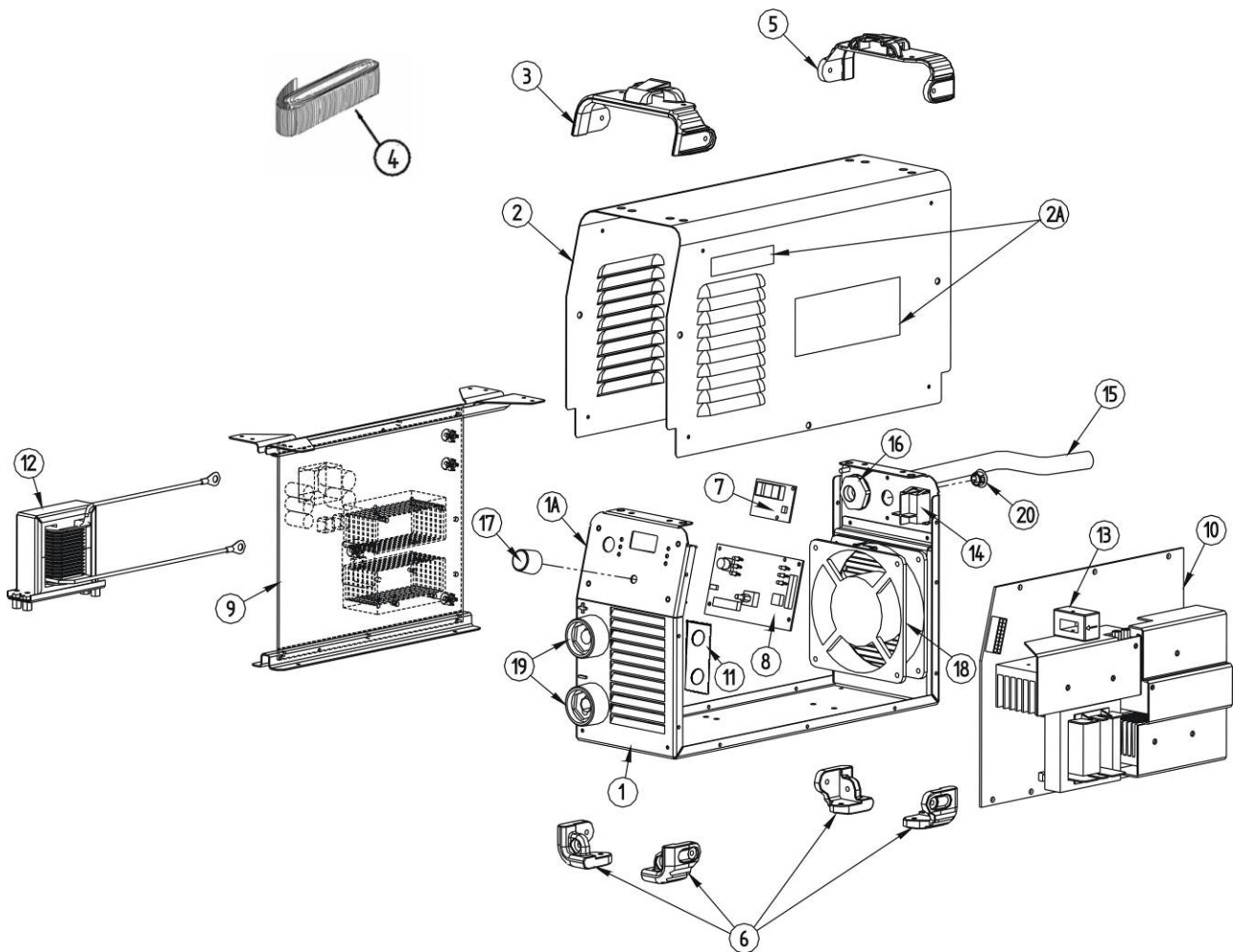


Figure A

**Figure A: Machine Assembly 160SX**

Item	Description	Part Number	QTY	1	2	3	4	5	6	7
1	MAIN FRAME	W93X1307R	1	X	X					
1A	+ FRONT NAMEPLATE	+ W07X1302R	1	X	X					
2	WRAPAROUND	W93X1360R	1	X	X					
2A	+ KIT SIDE NAMEPLATES INVERTEC	+ W07X1186R	2	X	X					
3	FRONT HANDLE	W95X1148-1R	1	X	X					
4	CARRYING STRAP	W92X1189R	1	X	X					
5	REAR HANDLE	W95X1148-2R	1	X	X					
6	KIT 4 ANTI-SLIP FOOT	W95X1149R	1	X	X					
7	DISPLAY P.C. BOARD	W05X1344R	1	X	X					
8	CONTROL P.C. BOARD	W05X1319R	1	X	X					
9	INPUT BOOST P.C. BOARD	W05X1281R	1	X	X					
10	INVERTER P.C. BOARD	W05X1280R	1	X	X					
11	OUTPUT FILTER CAPACITORS	W05X1459R	1	X	X					
12	BOOST INDUCTANCE	W58X1299R	1	X	X					
13	HALL SENSOR	W4900003R	1	X	X					
14	MAINS SWITCH	W7516224R	1	X	X					
15	INPUT CORD CE NO PLUG	W78X1447R	1	X						
	INPUT CORD AUS WITH PLUG	R-5041-390-1R	1		X					
16	CABLE CLAMP	W8400006R	1	X	X					
		W8400007R								
17	KNOB	W8700022R	1	X	X					
18	FAN	W7200016R	1	X	X					
19	DINSE CONNECTOR	W7690350R	2	X	X					
20	PLASTIC COVER CAP	W7900322R	1	X	X					

# Electrical Schematic

Code: 52101,52119

