

# INVERTEC<sup>®</sup> V145-S

---

Spare Parts.....	1
INVERTEC V145-S CE, V145-S AUSTRALIA, V145-S 2V CE.....	1
Figure A.....	1
Figure A: Machine Assembly.....	2
Electrical Schematic.....	3
V145-S Code 52018, 52021, 52022.....	3
V145-S 2V Code 52030.....	4



# Spare Parts

SP52018/52021/52022/52030 Rev. 2  
07/03

## INVERTEC V145-S CE, V145-S AUSTRALIA, V145-S 2V CE

ASSEMBLY PAGE NAME		Machine Assembly					
CODE NO.:	FIGURE NO.:	A					
52018	V145-S CE	1					
52021	V145-S AUSTRALIA	2					
52022	V145-S CE (12V)	1					
52030	V145-S 2V CE	3					

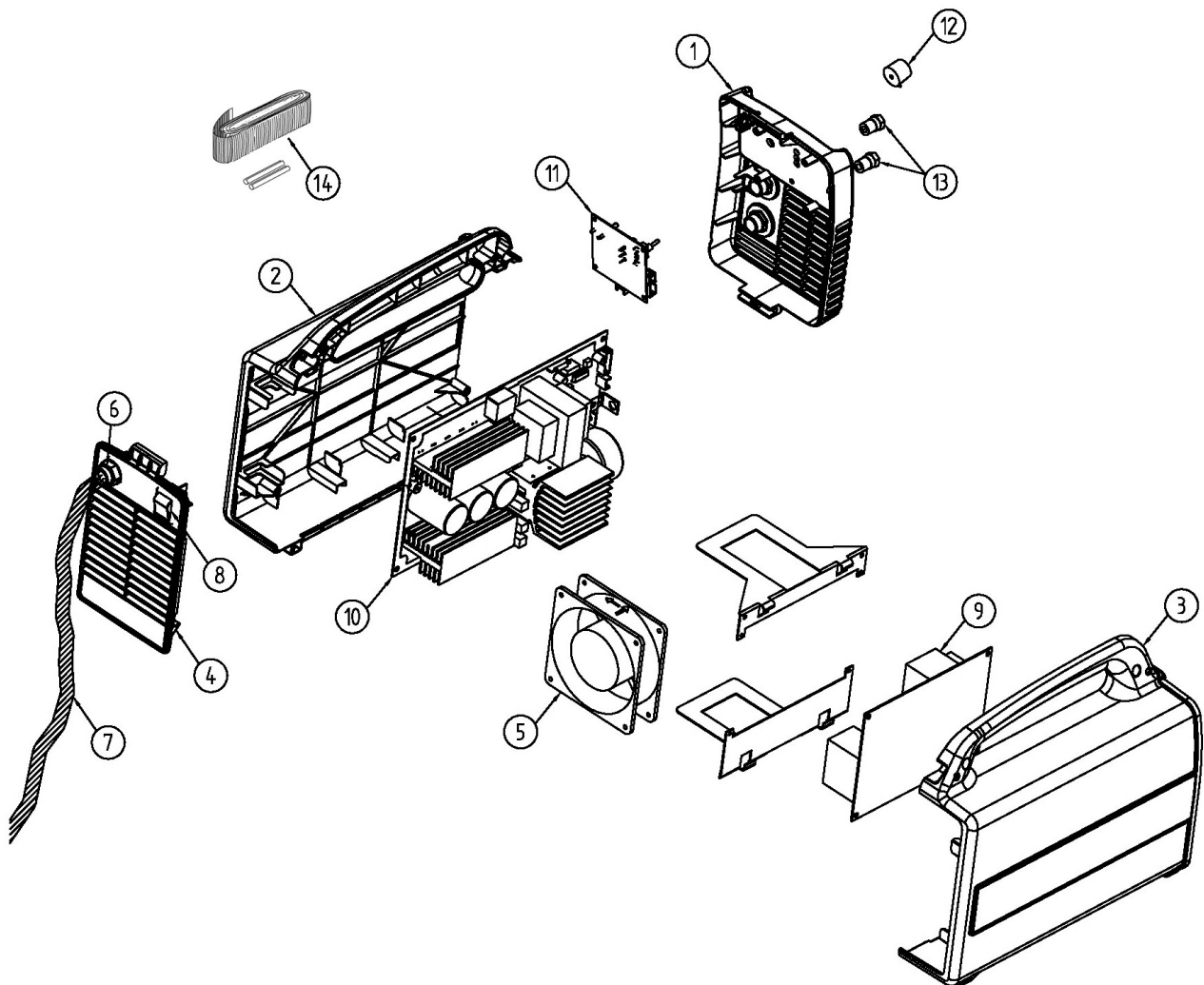


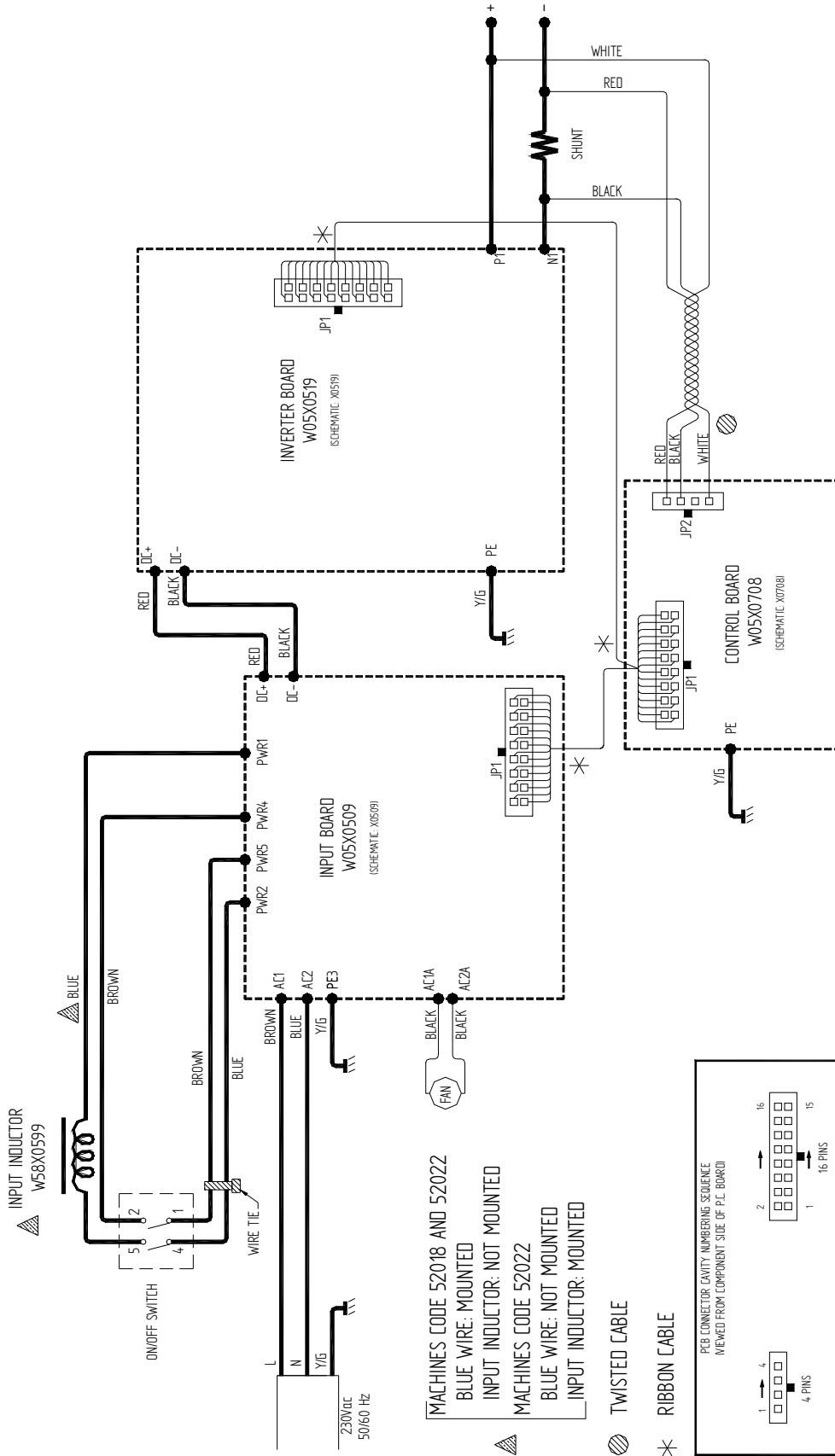
Figure A

**Figure A: Machine Assembly**

Item	Description	Part Number	QTY	1	2	3	4	5	6
1	Front Panel with Front Nameplate	W95X0521R	1	X	X	X			
2	Primary Case (dx) with Side Nameplate (dx)	W95X0523R	1	X	X	X			
3	Secondary Case (sx) with Side Nameplate (sx)	W95X0522R	1	X	X	X			
4	Rear Panel	W95X0524R	1	X	X	X			
5	Fan, 120x38mm	W7200004R	1	X	X	•			
5	Fan, 120x38mm	W66X0726R	1	•	•	X			
6	Cable Clamp	W8460038R	1	X	X	X			
7	Input Cable CE	W78X0248R	1	X	•	•			
7	Input Cable Australia	W78X0369R	1	•	X	•			
7	Input Cable UK	W78X0730R	1	•	•	X			
8	Input Switch	W7516224R	1	X	X	X			
9	Input P.C. Board	W05X0509R	1	X	X	•			
9	Input P.C. Board	W05X0701R	1	•	•	X			
10	Inverter P.C. Board	W05X0519R	1	X	X	X			
11	Control P.C. Board	W05X0510R	1	X	X	•			
11	Control P.C. Board	W05X0708-2R	1	•	•	X			
12	Knob Kit	W8700022R	1	X	X	X			
13	Output Dinse Connector	W7600024R	2	X	X	X			
14	Carrying Strap	W92X0543R	1	X	X	X			

# Electrical Schematic

V145-S Code 52018, 52021, 52022



V145-S 2V Code 52030

